
Loewe klang

Loewe klang 5 subwoofer



Operating manual

LOEWE.

36778002





Loewe klang 5 subwoofer	
Operating manual	
Table of contents	

Table of contents	3	Disposal	18
Welcome!	4	Conformity / Manufacturer's declaration	18
Delivery specification	4	Legal details	18
Safety Instructions	5		
Intended Use.....	5		
Mains cable/power supply.....	5		
Installation	5		
Air circulation and high temperatures.....	5		
Cleaning	6		
Mounting the cable holding-down device	6		
Connectors and operating controls	7		
Configuration examples	8		
Connector/set-up solution with one subwoofer (2.1 system)	8		
Connection/set-up solution with two subwoofers via WIRELESS DIGITAL AUDIO LINK (5.2 system)	8		
Connection/set-up solution with two subwoofers via DIGITAL AUDIO LINK and <u>LOEWE KLANG LINK</u> (5.2 system).....	9		
Connecting Subwoofer via Digital Audio Link	10		
Connecting Subwoofer via LINE IN	11		
Settings directly on the Subwoofer	12		
Settings via control buttons	12		
Pairing with Loewe klang link	14		
Configuration of the subwoofer via Digital Audio Link	14		
Configuration of the subwoofer via LINE IN	16		
Software update	17		
Specifications	18		

Loewe klang 5 subwoofer

Operating manual

Welcome!

Delivery specification

Thank you

for choosing a Loewe product! We are happy to have you as a customer.

Loewe stands for the highest standards of technology, design and ease of operation. This applies equally to TV, DVD/Blu-ray, audio and accessories.

Neither technology nor design is an end in itself, but both are intended to provide our customers with the best possible audio and visual experience.

Our design is not influenced by short-term, fashionable trends. You have, after all, purchased a high-quality piece of equipment which you do not want to tire of tomorrow or the day after.

The Loewe klang 5 subwoofer is designed for Loewe TV sets and Loewe speaker systems. The device has a powerful bass amplifier and is prepared for wireless operation with the Wireless Digital Audio Link function.

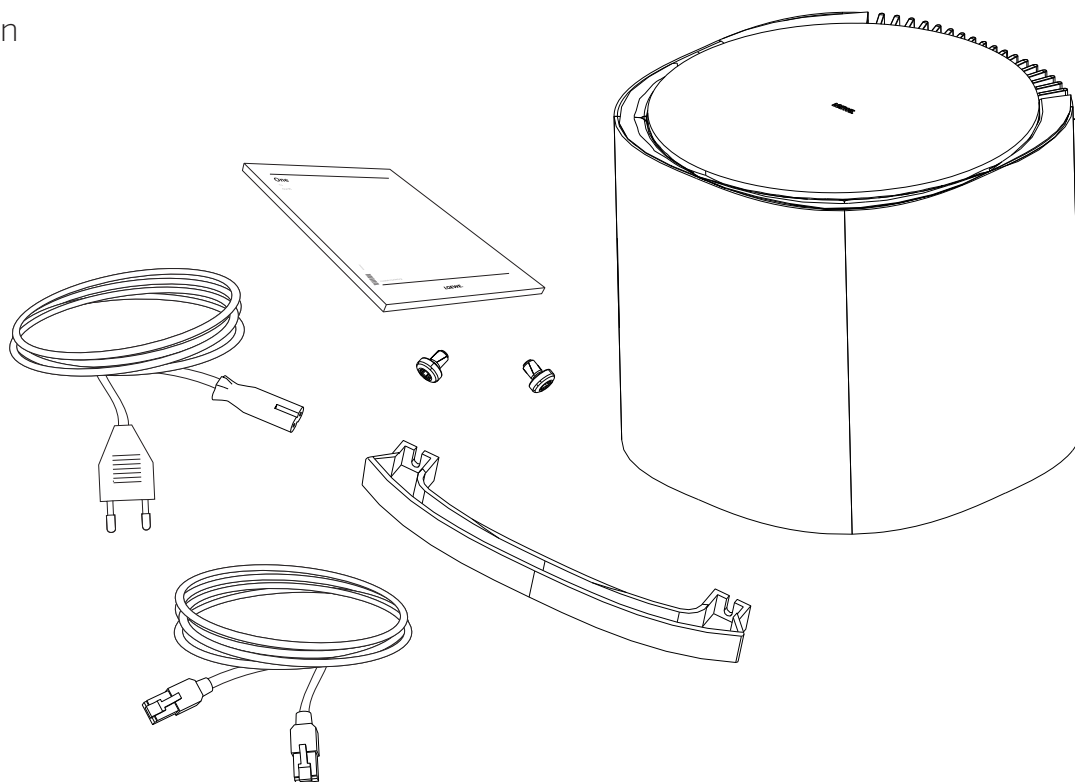
Loewe TV sets with integrated digital multi-channel audio decoder direct the sound signals and information on the set settings via the DIGITAL AUDIO LINK IN connection to the subwoofer. You can conveniently configure the configuration and settings for the klang 5 subwoofer and the connected speakers via the current Loewe TV sets. The connection via DIGITAL AUDIO LINK OUT also offers the possibility to connect a second subwoofer to obtain a balanced and even more powerful bass.

Via an analogue LINE IN connector, you can also use the klang 5 subwoofer for Loewe TV sets without DIGITAL AUDIO LINK connector or other audio sources.

With the aim of a safe and long-term fault-free use of your Loewe Audio System, before putting the loudspeaker into operation, please read the chapter on the next page **Safety Instructions**.

Delivery specification

- Loewe klang 5 subwoofer
- Mains cable
- Digital Audio Link-cable
- Cable holding-down device
- L-key
- 2x screws Torx T20
- Operating manual



Safety Instructions

For your safety, and to avoid unnecessary damage to your unit, please read and follow the safety instructions below:

This device has been built exclusively for private use in domestic environments. Warranty services cover this intended use.

Warning: To prevent electrical shock, do not open the unit. There are no parts inside the unit that can be repaired by the user. Repairs should only be carried out by a Loewe dealer.



Intended Use



The unit is intended exclusively for the playback of audio signals.



Do not put down! Place the loudspeaker only on the pre-assembled rubber feet.

Do not place objects containing liquids on top of the unit.



Candles and other open flames must be kept away from the unit at all times to prevent the spread of fire.



If you have moved the unit out of the cold into a warm environment, leave it switched off for about an hour to avoid condensation forming. Connect the loudspeakers to the power supply when they reach room temperature. This prevents serious damage to the components.

Protect the unit from ...

- Water, dampness, dripping or sprayed water or steam
- Impacts and mechanical stresses
- magnetic and electric fields
- higher electrical powers than specified
- cold, heat, direct sunlight and high temperature fluctuations.
- Dust
- Covering which obstructs air circulation
- Interference with the internal workings of the unit

Mains cable/power supply



Pull the power plug before connecting or disconnecting other devices or speakers.



Do not operate the unit unattended. In case of longer absence, pull out the power plug.

The power plug of the TV set must be easily accessible so that the TV can be disconnected from the power supply at all times.

When unplugging the unit from the mains, pull at the connector body and not at the cable. The cables in the mains plug could otherwise be damaged and could cause a short-circuit when plugged in again.

Pull out the power cable during thunderstorms. A voltage surge caused by lightning conducted through the mains could damage the unit.

Lay the speaker and power cables in such a way that they cannot be damaged. The power cable may not be kinked or laid over sharp edges, not stood on and not exposed to chemicals; the latter also applies to the system as a whole. A power cable with damaged insulation can lead to electric shocks and is a fire risk and must therefore be changed before operation of the set continues.

Installation



Place the unit on a firm, level surface.

Do not set up the unit near strong heat sources or in direct sunlight.

The safest position to operate your klang 5 subwoofer loudspeakers is at ground level.

The speakers generate magnetic dispersion fields which act in the vicinity of the housing. We recommend a minimum distance of > 0.5 m from magnetically sensitive equipment, such as magnetic data media etc.

Air circulation and high temperatures



Under no circumstances, the air supply of the Loewe klang 5 subwoofer may be obstructed. Make sure it is far enough away (> 10 cm) from the floor or wall.

When installing in a cabinet or closed shelf: leave (> 10 cm) free space around the unit to allow the air to circulate freely, thereby avoiding a build-up of heat and an influence on the sound reproduction.

Cleaning

Clean the top side of the subwoofer made of aluminium with a damp, soft and clean cloth only (without any abrasive cleaning agent).

The housing of the subwoofer is fabric covered. Vacuum the surface regularly with a soft brush attachment.

In case of dirt or stains:

Moisten a soft, colour-neutral cloth with detergent or normal stain remover and gently rub away the stain. You can also treat the stain directly with normal dry stain remover spray (vacuum up powder).

Do not moisten the fabric cover directly with detergent or stain remover (risk of encrustation). Do not use any solvents to clean the fabric.

- i** Follow the manufacturer's instructions when using stain removers.
- i** There is an increased risk of encrustation when cleaning the cloth grills with nicotine deposits.

Mounting the cable holding-down device

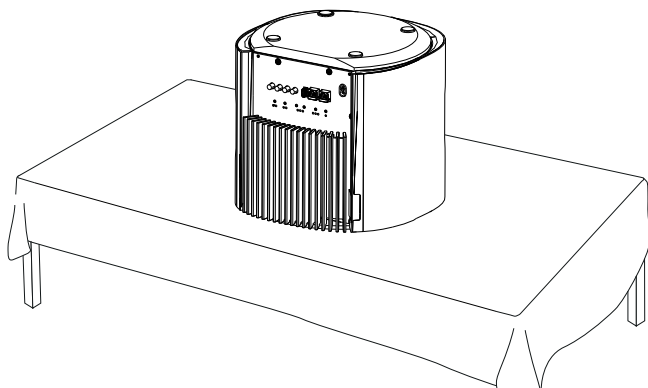
! The cable holding-down device is exclusively used for cable routing!
It has not been designed as a carrying handle!

! The screws of the cable holding-down device must not be screwed into the thread up to stop without the cable holding-down device!

- i** Exercise due care when handling tools.

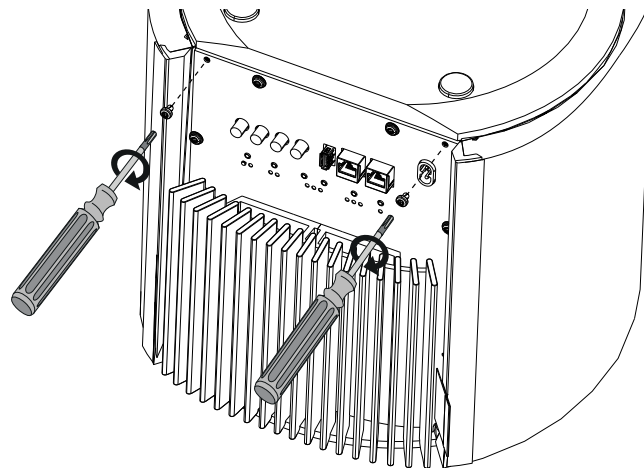
Preparing the subwoofer

Remove the separate package from the Loewe klang 5 transport box. Lift the subwoofer out of the box and place the subwoofer with its top side on a soft, clean surface. You can use the fleece from the packaging material.

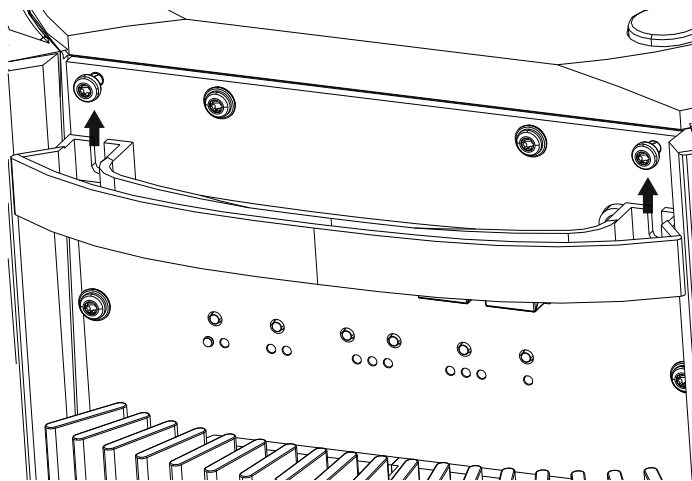


Mounting

1. Only screw the two supplied screws into the threads provided so that they cannot fall off by themselves.

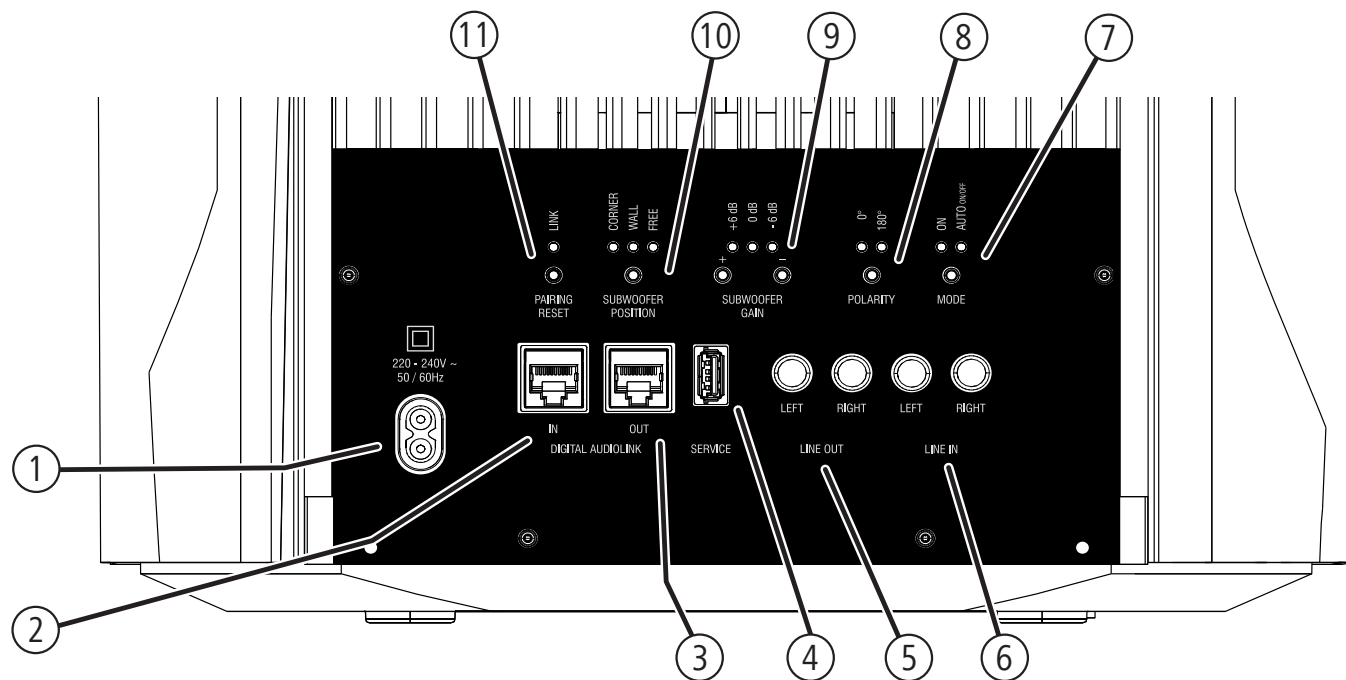


2. Slide the cable holding-down device with its open side from below between the screw head and the subwoofer.



3. Turn the screws hand-tight using the supplied L-key.

Connectors and operating controls



① **220-240 V ~ 50/60 Hz** – Mains connection

② **DIGITAL AUDIO LINK IN** – Audio input (digital)

③ **DIGITAL AUDIO LINK OUT** – Audio output (digital)

④ **SERVICE** – Service interface for internal purposes

⑤ **LINE OUT – LEFT/RIGHT** – Audio output left (analogue)

⑥ **LINE IN – LEFT/RIGHT** – Audio input left (analogue)

⑦ **MODE** – Setting/display of the on/off behaviour of the subwoofer

⑧ **POLARITY** – Setting/display of the phasing

⑨ **SUBWOOFER GAIN** – Setting/display of the bass intensity

⑩ **SUBWOOFER POSITION** – Setting/display of the subwoofer position

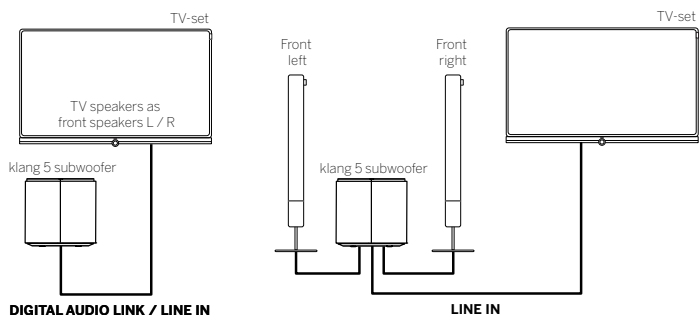
⑪ **PAIRING/RESET** – Establishing the connection to Loewe klang link (Wireless Digital Audio Link)

Configuration examples

Only one of the given examples is possible at the same time.

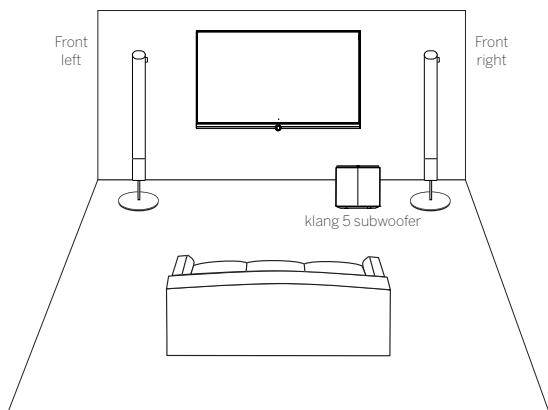
Connector/set-up solution with one subwoofer (2.1 system)

When configuring a 2.1 system, the subwoofer is connected to the audio source either via DIGITAL AUDIO LINK IN or LINE IN. In a 2.1 system, two speakers are connected to the subwoofer; this applies only to the connection via LINE IN.



An example of TV set with subwoofer

An example of a 2.1 system

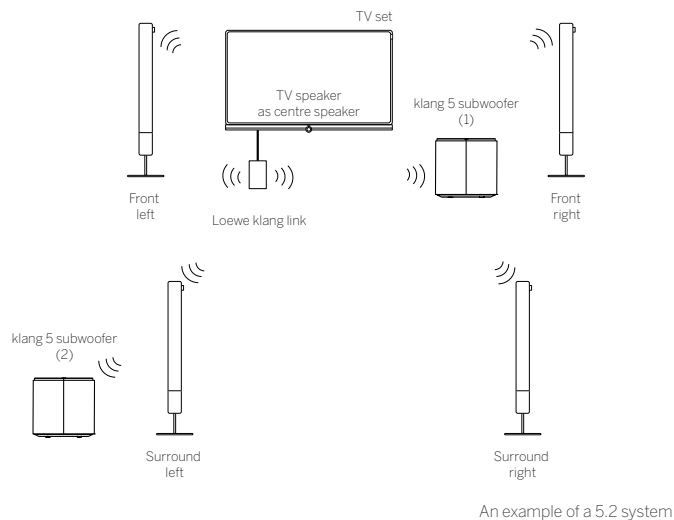


A set-up example of a 2.1 system

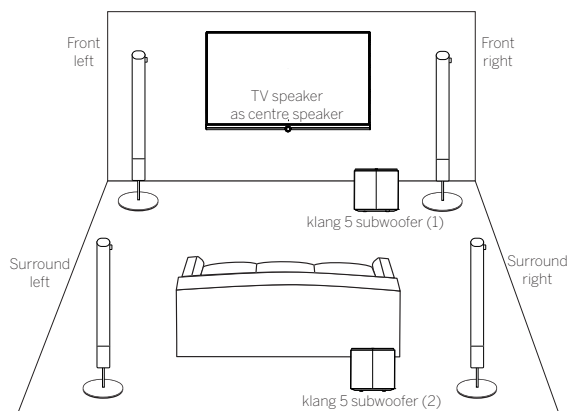
How to connect the subwoofer via DIGITAL AUDIO LINK is described on page 10. The connection via LINE IN is described on page 11.

Connection/set-up solution with two subwoofers via WIRELESS DIGITAL AUDIO LINK (5.2 system)

Your speakers and subwoofers have been already prepared by Loewe for wireless operation at the factory. The function can be used with the Loewe klang link box. To do this, connect the box to your TV set using the DIGITAL AUDIO LINK cable.



An example of a 5.2 system

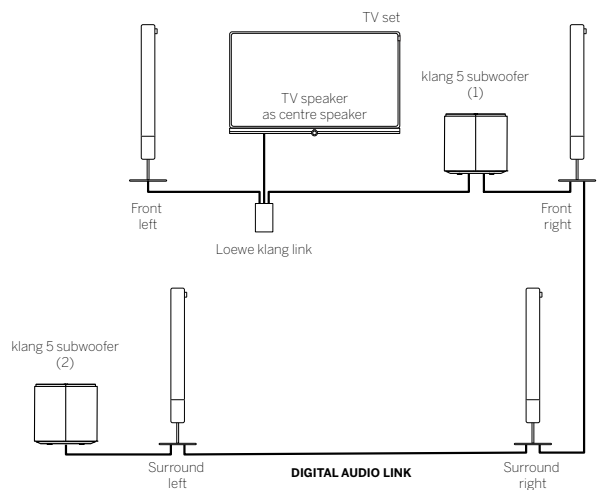


A set-up example of a 5.2 system

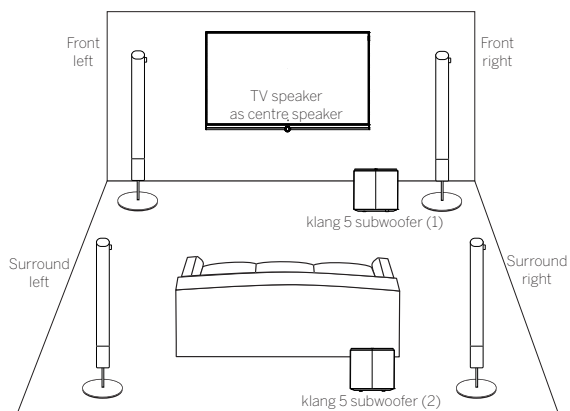
How to connect the Loewe klang link box can be found in the instruction manual supplied with the Loewe klang link box.

Connection/set-up solution with two subwoofers via DIGITAL AUDIO LINK and LOEWE KLANG LINK (5.2 system)

If you use a 5.2 system with a Loewe klang link box, you can connect the speakers and subwoofers much more easily and without much effort. This applies also to other connection/set-up solutions using the Loewe klang link box.



An example of a 5.2 system



A set-up example of a 5.2 system

How to connect the subwoofer via DIGITAL AUDIO LINK is described on page 10.

Connecting Loewe klang 5 subwoofer via Digital Audio Link

Via the **DIGITAL AUDIO LINK IN** interface, you can digitally connect the klang 5 subwoofer to your TV set¹⁾.

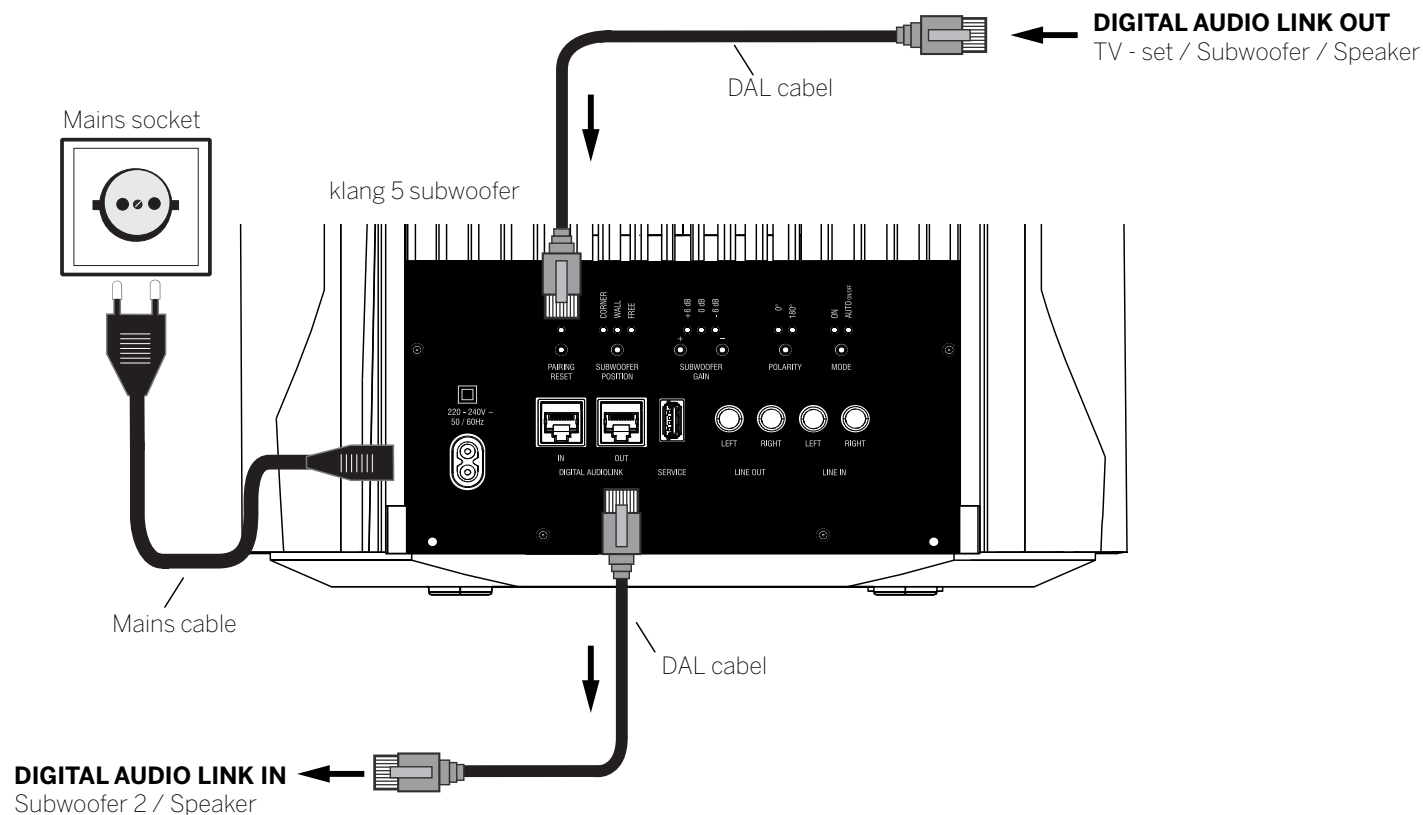
Disconnect all devices from the mains before connecting.

Using the included digital audio link cable, connect the **DIGITAL AUDIO LINK** interface of the Loewe TV set to the **DIGITAL AUDIO LINK IN** interface of the klang 5 subwoofer. If you want to connect another klang 5 subwoofer or klang 5 speaker, connect the **DIGITAL AUDIO LINK OUT** interface of the first subwoofer/speaker to the **DIGITAL AUDIO LINK IN** interface of the second subwoofer/speaker.

You can connect the subwoofer to your existing system at any point. After a speaker of the Loewe klang 5 series already integrated via DIGITAL AUDIO LINK, or directly after your TV set.

Connect the speaker cable to the speaker according to the corresponding installation instructions.

Use the mains cable supplied to connect the **220-240 VAC 50/60 Hz** socket of the klang 5 subwoofer to a 220-240V 50/60 Hz socket.



¹⁾ Availability and position of the DIGITAL AUDIO LINK interface depends on the type of TV set.

Connecting Loewe klang 5 subwoofer via LINE IN

Via the **LINE IN** analogue interface, you can connect the klang 5 subwoofer to your TV set or any audio source.

Disconnect all devices from the mains before connecting.

Connect the analogue audio output **AUDIO OUT**¹ of the TV set or of another audio source with the **LINE IN** audio inputs **LEFT/RIGHT** of the subwoofer. To do so, use the supplied 3.5mm jack/2 x cinch audio cable. If an audio source is used, which has separate jacks for left/right; use appropriate standard cinch cables.

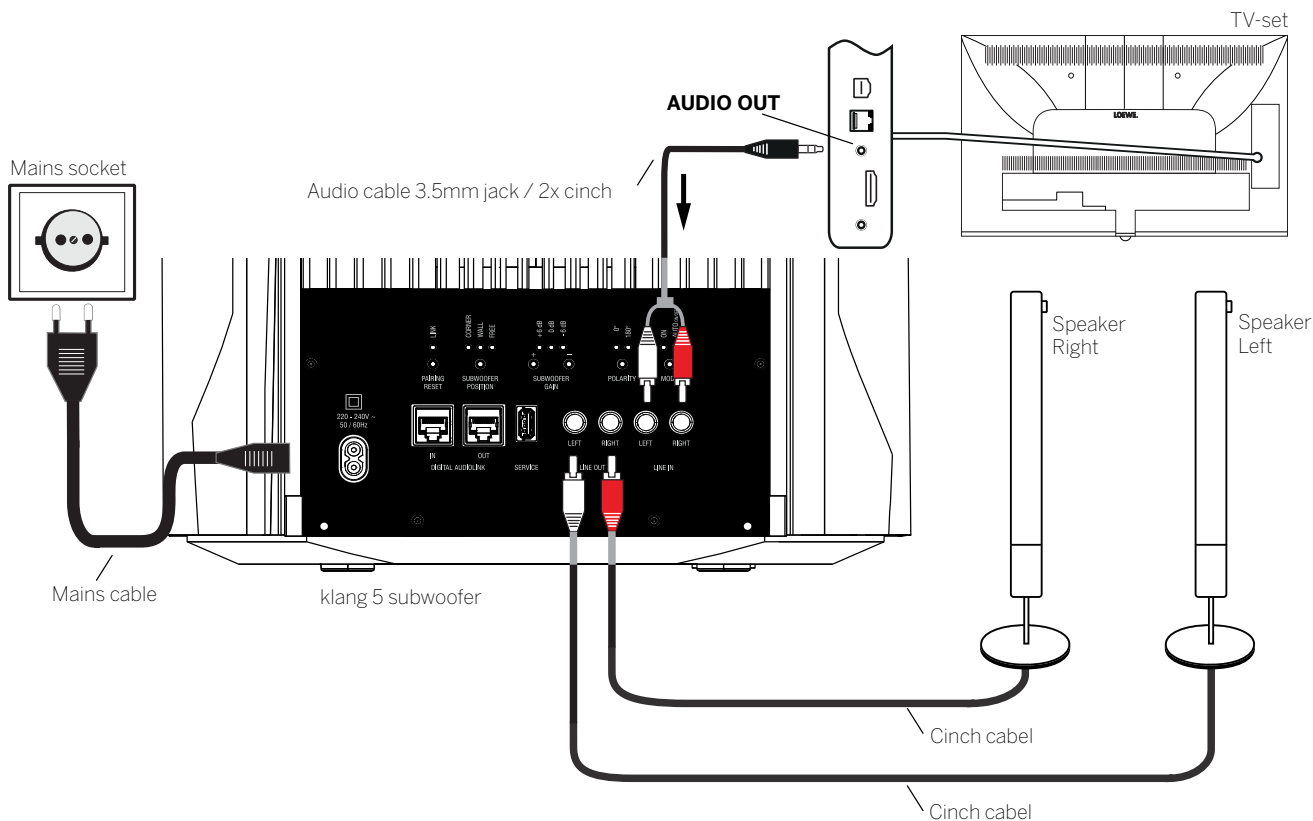
Connect the speaker of the Loewe klang 5 series that is positioned to the left of your TV set to the white jack (LEFT) of the subwoofer using a cinch cable.

Connect the speaker of the Loewe klang 5 series that is positioned to the right of your TV set to the red jack (RIGHT) of the subwoofer using a cinch cable.

Connect the cables to the speaker according to the corresponding installation instructions.

Use the mains cable supplied to connect the **220-240 VAC 50/60 Hz** socket of the klang 5 subwoofer to a 220-240V 50/60 Hz socket.

i If the menu item **TV speaker** is active in the sound components wizard of the Loewe TV set, it may happen that after turning on the TV set, the klang 5 subwoofer connected to AUDIO OUT is operated at a high volume. Therefore, select in the sound components wizard first the **Speaker system (AUDIO OUT)**¹ (see page 16) before connecting the subwoofer to the mains.



¹For Loewe TV sets as of chassis SL3xx and software V2.2.13 without AUDIO OUT connector, use the HEADPHONE connector.

Settings directly on the klang 5 subwoofer

Before commencing the start-up and settings, please make sure that all cables are connected correctly.

Status LED

Meaning of the colours of the status LED:

Blue:	DIGITAL AUDIO LINK – input active
Yellow:	WIRELESS DIGITAL AUDIO LINK – mode active
Green:	LINE IN – input active (analogue signal)
White:	no signal detected
Red:	Disorder

Status appears for ca 15 min., then the LED will turn off.

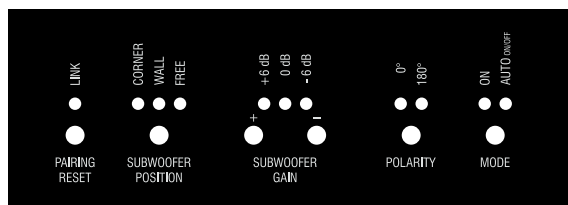
Settings via control buttons

Using several control buttons you can make various settings on the subwoofer. The corresponding LEDs indicate the status. The LED display switches off after ca 15 min.; when pressing one of the control buttons, the LEDs turn on again.

The handling of the settings directly on the subwoofer will depend on the connection types of the subwoofer. Depending on whether the subwoofer is connected via DIGITAL AUDIO LINK or LINE IN to the TV or an audio source.

When the subwoofer is connected to a Loewe TV set (chassis SL3xx and higher versions) via DIGITAL AUDIO LINK, the POLARITY and SUBWOOFER GAIN settings can only be made via the TV set. A local change on the klang 5 subwoofer will not result in a feedback to the TV set.

When connecting the subwoofer to a TV or any audio source via LINE IN, these settings must be made directly on the klang 5 subwoofer.



All set values remain unchanged after the subwoofer has been switched on and off.

MODE settings

With the **MODE** button you can set the on/off behaviour of the subwoofer. The LED indicator **ON** shows the selected mode. If this LED lights, the **ON** mode is active. If no LED lights, **AUTO ON/OFF** is active.

i The setting for **MODE** will only be made locally on the subwoofer.

Selecting **AUTO ON/OFF**:

By selecting **AUTO ON/OFF**, the subwoofer automatically switches on from standby, when a connected TV set is switched on at the **DIGITAL AUDIO LINK IN** or **WIRELESS DIGITAL AUDIO LINK** connector or when an audio signal is applied at the cinch jacks **LINE IN (LEFT/RIGHT)**.

If both connectors are simultaneously used (switched on TV set at DIGITAL AUDIO LINK, audio source signal at LINE IN) DIGITAL AUDIO LINK has priority. If you switch the TV set at DIGITAL AUDIO LINK to standby mode, the subwoofer automatically switches to LINE IN.

If the TV set connected to the subwoofer at DIGITAL AUDIO LINK IN is switched to standby, or an audio signal is not applied at LINE IN, the subwoofer in **AUTO ON/OFF** mode will automatically switch off after 10 min (standby mode).

i When connected to LINE IN, the subwoofer may be automatically turned on, if we have interference signals on the audio lines (LINE IN).

i When connected to LINE IN, the subwoofer can switch off automatically during longer, very quiet periods. In this case, increase the volume.

Selecting **ON**:

When being in mode **ON**, the subwoofer will automatically switch off after **4 hours** (standby mode), on the condition that the TV set connected to the subwoofer at DIGITAL AUDIO LINK or WIRELESS DIGITAL AUDIO LINK is switched to standby or an audio signal is not applied at LINE IN.

POLARITY settings

With the **POLARITY** button you can set the phasing of the subwoofer. The two LED indicators **0°** and **180°** indicate the selected setting.

Test both values (**0°** and **180°**) and select the one with which you perceive a clearer bass reproduction at your listening position.

i When connecting the subwoofer via DIGITAL AUDIO LINK, the setting is made in the sound components wizard (Setting of the subwoofer phase, see page 15) on the TV set.

Adjusting the SUBWOOFER GAIN

Using the **SUBWOOFER GAIN +/-** buttons you can adjust the basic bass volume. The three LED indicators **-6 dB / 0 dB / +6dB** indicate the adjusted volume.

The adjustment range of -6 dB to +6 dB can be changed in steps of 1 dB. The corresponding LED will light up for the values -6 dB, 0dB and +6dB. For intermediate values, the LEDs will be dimmed accordingly.

i When connecting the subwoofer via DIGITAL AUDIO LINK, the subwoofer volume is set in the sound components wizard (Adjusting the speaker volume, see page 15) on the TV set.

Setting the SUBWOOFER POSITION

When using the **SUBWOOFER POSITION** button, you can set the lowest frequency ranges (20 Hz - 50 Hz) for bass reproduction to be raised or lowered. The three LED indicators **CORNER / WALL / FREE** indicate the selected setting.

i The setting for **SUBWOOFER POSITION** will only be made locally on the subwoofer.

Selecting **CORNER**:

When the subwoofer is near the corner of the room, select the setting **CORNER** (-3 dB).

Selecting **WALL**:

When the subwoofer is near a wall, select the setting **WALL** (0 dB).

Selecting **FREE**:

When the subwoofer is in free space, select the setting **FREE** (+3 dB).

PAIRING/RESET Setting

i To use the function (WIRELESS DIGITAL AUDIO LINK), you need the Loewe klang link box and a TV set (chassis SL3xx or higher with software V4.1.x or higher) with a digital audio link connection.

i The Loewe klang link box is not included in the set of equipment supplied.

When pressing the **PAIRING/RESET** button, the subwoofer is ready to be wirelessly integrated into an existing system, or to be connected alone to the Loewe klang link box and the TV set.

Meaning of the LED after pressing the **PAIRING/RESET** button:

Permanently: The subwoofer has found the Loewe klang link box and is connected to it.

Flashing: The subwoofer has not yet/not found the Loewe klang link box. If there is still no connection after 1 minute, a new attempt must be initiated manually.

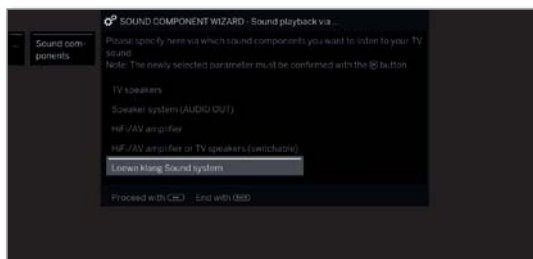
- Loewe klang 5 subwoofer
- Operating manual
- Pairing with Loewe klang link
- Configuration of the subwoofer via Digital Audio Link

Connecting the Loewe klang 5 subwoofer via Loewe klang link

i You cannot use the system in a mixed mode. You must decide between a wireless or wired connection. Your TV set detects automatically whether it is connected wirelessly or wired.

The sound components wizard can be opened via **System settings – Connections – Sound components**.

Sound playback
via ...

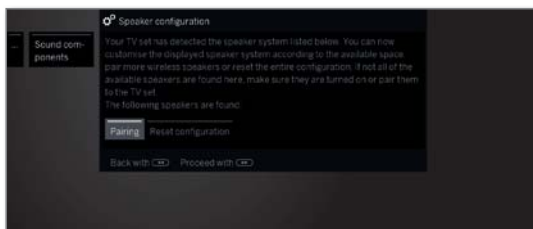


▲ ▼ Select the **Loewe klang Sound system**.
OK Confirm selection.



▶▶ Proceed to next step.

Speaker
configuration



◀ ▶ Select **Pairing**



▶▶ Proceed to next step.

Once you have selected **Pairing** and aroused the speaker/subwoofer by pressing any button, press the **PAIRING** button for every Loewe klang 5 speaker/subwoofer. The speakers/subwoofer and your TV set connect themselves now automatically. The connected speakers/subwoofer are now shown in the Linking menu.



▶▶ Complete linking.

When the **pairing** has been performed properly, the Loewe klang 5 system can now be configured via the TV set.

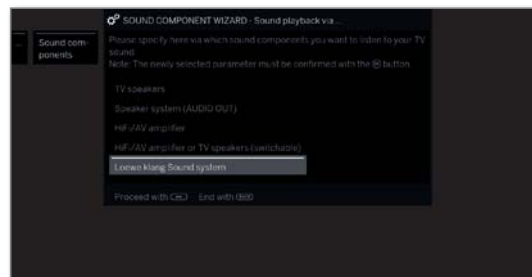
Configuration of the klang 5 subwoofer (DIGITAL AUDIO LINK/WIRELESS DIGITAL AUDIO LINK)

After switching on the TV set, the sound components wizard detects that a **Loewe klang Sound system** was connected to DIGITAL AUDIO LINK and automatically displays it in the sound components wizard. A system 3.1 is assumed as a configuration example.

The sound components wizard can be opened via **System settings – Connections – Sound components**.

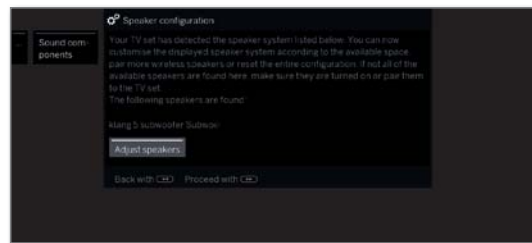
i The automatic recognition of the **Loewe klang Sound system** is dependent on the Loewe chassis type and the software version used (as of chassis type SL3xx and software version V4.x). For other types of chassis/software versions call manually the sound components wizard to select the **Speaker system (DIGITAL AUDIO LINK)**. The order and appearance of the menu items can be different from the case described here..

Sound playback
via ...



▶▶ Proceed to next step.

Speaker
configuration



▶▶ Proceed **TV loudspeakers as centre speaker**.

The speakers currently found are displayed.

TV loudspeakers as centre speaker



◀ ▶ Select whether you want to use the **TV speaker** as centre speaker.



▶▶ Proceed to **Distance to left front speaker**.

Distance to left front speaker



◀ ▶ Set the distance between the left front speaker and your listening position in 10 cm steps.

i Measure the distances from your listening position to the front speakers and the centre speaker (if used). The system calculates delay times from this for the loudspeaker signals, so that these reach the listener simultaneously.



▶▶ Proceed to the respective other speakers (right front speaker, centre speaker and subwoofer) and also



◀ ▶ set distance. The selected speaker will be coloured blue.

After setting the distance to the subwoofer.



▶▶ Proceed to **Adjust speaker level**.

Adjust speaker level



◀ ▶ Adjust the level for the speaker.

▲ ▼ Select speakers.

The selected speaker will be coloured blue.

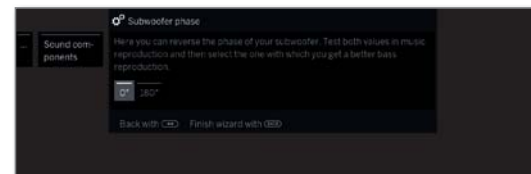
i For balanced audio reproduction all speakers should be set to the same volume level. A noise signal will be reproduced automatically on each speaker in succession. Adjust every speaker to equal perceived volume from your listening position.

After adjustment of the last speaker.



▶▶ Proceed to **Subwoofer phase**.

Subwoofer phase



Switch to a station with music or start playing music with a DVD player.

◀ ▶ Test both values (**0°** and **180°**) and select the one with which you perceive a clearer bass reproduction at your listening position.



Back: End of wizard.

This ends the sound components wizard for connecting and setting up a speaker system.

Configuration of the klang 5 subwoofer (LINE IN)

Configure the sound components wizard of the Loewe TV set telling that you use a klang 5 subwoofer that is connected to AUDIO OUT¹ via LINE IN of the TV set. A system 3.1 is assumed as a configuration example.

i When the klang 5 subwoofer is connected to AUDIO OUT¹ and you want to return to the selection of **TV speakers**, unplug the power cord of the subwoofer before you select the **TV speakers**. At the AUDIO OUT¹ connector, the audio signal may be output with high volume in the selection of **TV speakers**.

HOME

HOME: Call Home view.



◀ ▶ ▲ ▼ Mark **System settings**.
OK call System settings.

▲ ▼ Select **Connections**.
▶ go to next column.

▲ ▼ Select **Sound components**.
▶ go to next column.

Sound playback
via...

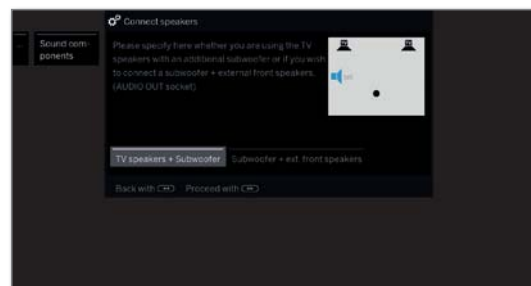


▲ ▼ Select **Speaker system (AUDIO OUT)**¹.
OK Confirm selection.



▶▶ Proceed to next step.

Connect
speakers



◀ ▶ Select **TV speakers + Subwoofer** or **Subwoofer + ext. front speakers**.

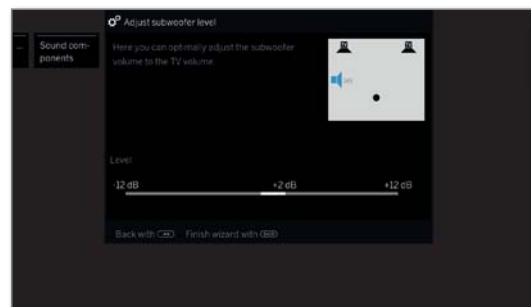
Specify here whether you want to operate the speakers of the TV set with an additional subwoofer or a subwoofer with external front speakers at the AUDIO OUT socket of the TV set.



▶▶ Continue with the appropriate selection.

TV speakers + Subwoofer

Adjust
subwoofer level



◀ ▶ Adjust the volume for the subwoofer.



Back: End of wizard.

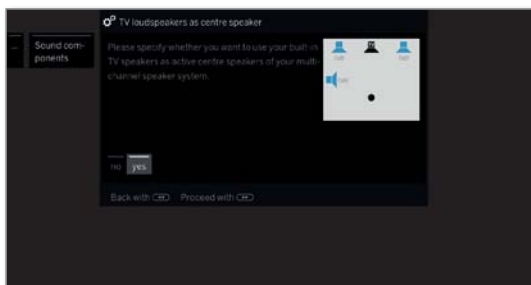
This ends the sound components wizard for connecting and setting up a speaker system.

¹For TV set types without AUDIO OUT, use the HEADPHONE connector.

■	Loewe klang 5 subwoofer
	Operating manual
	Configuration of the subwoofer via LINE IN
	Software update

Subwoofer + ext. front speakers

TV
loudspeakers
as centre
speaker



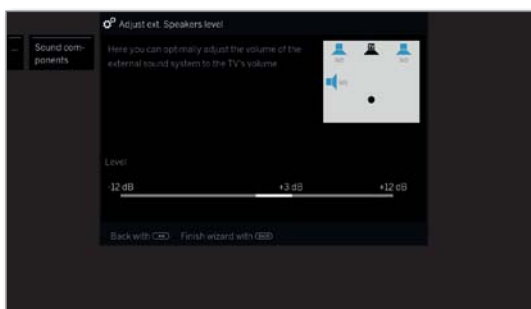
- ◀ ▶ Select **yes**, if you want to use the built-in TV speakers as centrespeakers.

If you select **no** here, no sound proportions will be transferred from the TV loudspeakers.



- ▶▶ Proceed to next step.

Adjust ext.
Speaker level



- ◀ ▶ Adjust the volume of the external sound system optimally to the TV volume.

i An audio broadband signal is transmitted via the AUDIO OUT jack. Therefore, the level of the front speakers and the subwoofer varies uniformly with the volume setting.



Back: End of wizard

This ends the sound components wizard for connecting and setting up a speaker system.

Software update

Software update via DIGITAL AUDIO LINK

If a new version of the Loewe klang 5 subwoofer software is available during an update of the TV software, it will also be updated via the DIGITAL AUDIO LINK interface. For more information on the software update, refer to the instruction manual of your TV set.

i During the update, you must not unplug the subwoofer.

Specifications

Order No.	56234xxx
Operating temperature [°C]	5 ... 35
Humidity [%] (no condensation)	20... 80
Dimensions [W x H x D in cm]	W 32.1 x H 29.4 x D 32.1
Weight [kg]	11.2 kg
Digital power stages	2 x 150 W (sine wave) 2 x 300 W (music)
Acoustic principle	closed with passive resonators
Speaker equipment	1 x 8 inch woofer 2 x 8 inch passive speaker
Mains voltage [Volt 50/60 Hz]	220–240
Max. power consumption [Watt]	370
Network standby [Watt]	< 0.6
Setting range of intensity [dB]	+6/-6
Transmission range (acoustic)	29 Hz–150 Hz (± 3 dB)
Maximum sound pressure	111 dBA ± 1 dB at 1m distance
Transmission range (electrical)	20 Hz–500 Hz
Connections	WDAL (wireless) DAL IN (RJ45) DAL OUT (RJ45) LINE IN (CINCH) LINE OUT (CINCH)
Input sensitivity	250 mV/20 kOhm (@ +6 dB Intensity)
Filter LINE IN/LINE OUT	Low pass 2nd order 100 Hz High pass 2nd order 100 Hz
Signal detection	>1 mV at Line IN
Wireless transmission	5.8 GHz
Sound optimization	Corner, wall, free standing

Disposal

Cardboard box and packaging

In line with national regulations regarding the disposal of packaging materials, we pay a fee to authorised recyclers who collect packaging from dealers. Nevertheless, we recommend that you keep the original cardboard box and the rest of the packaging materials so that the device can, if necessary, be transported under the safest possible conditions.

The device



Attention: The EU Directive 2012/19/EU governs the proper return, handling and recycling of used electronic appliances. Old electronic devices must therefore be disposed of separately. Never dispose of this device in normal domestic waste! You can hand in your old unit free of charge at identified collection points or to your dealer if you buy a similar new unit. Additional details about return (also for non EU countries) are available from your local municipal authority.

Conformity / Manufacturer's declaration



Loewe Technologies hereby declares that this product meets the essential requirements and other relevant provisions of Directive 2014/53/EU and all applicable EU directives.

You can find the complete declaration of conformity in the product selection at:

www.loewe.tv/int/my-loewe

Legal details

Loewe Technologies GmbH
Industriestrasse 11
D-96317 Kronach
www.loewe.tv

Printed in Germany
Editorial date 09/17-3.0 PS
© Loewe Technologies GmbH, Kronach

All rights including translation, technical modifications and errors reserved. The screen graphic displayed is only an example. Depending on the device type, the available hardware/software components may be different.

(AUS)

Qualifi Pty Ltd
24 Lionel Road
Mt.Waverley VIC 3149 Australia
Tel +61-03-8542 1111
Fax +61-03-9543 3677
E-mail: info@qualifi.com.au

(B NL L)

Loewe Opta Benelux NV/SA
Uilenbaan 84
2160 Wommelgem, België
Tel +32 - 3 - 2 70 99 30
Fax +32 - 3 - 2 71 01 08
E-mail: ccc@loewe.be

(CH)

Telion AG
Rütistrasse 26
8952 Schlieren, Schweiz
Tel +41 - 44 732 15 11
Fax +41 - 44 732 15 02
E-mail: infoKD@telion.ch

(CN)

Guangdong MG Audio Development
Co.Ltd
No.8 Jinghu Rd. Xinhua St. Huadu
Reg. GZ, PRC
Tel +86-(0)20-22675666
Fax +86-(0)20-22675777
E-mail: service@loewe-mg.com

Xiamen Tenote Investment Co. Ltd
26F 3# Xinglin Bay Operation Center,
No.478 xinglinwan Avenue,
Jimei District, Xiamen, Fujian, PRC
Tel +86-400 088 1566
E-mail: service@loewe-tnt.com

(CY)

Hadjikyriakos & Sons Ltd.
121 Prodomos Str., P.O Box 21587
1511 Nicosia, Cyprus
Tel +357 - 22 87 21 11
Fax +357 - 22 66 33 91
E-mail: savvas@hadjikyriakos.com.cy

(CZ)

BaSys CS s.r.o.
Sodomkova 1478/8
10200 Praha 10 - Hostivar,
Česká republika
Tel +420 234 706 700
Fax +420 234 706 701
E-mail: office@basys.cz

(D A)

Loewe Technologies GmbH,
Customer Care Center
Industriestraße 11
96317 Kronach, Deutschland
Tel +49 9261 99-500
Fax +49 9261 99-515
E-mail: ccc@loewe.de
www.loewe-friends.de

(DK)

EET Europarts
Loewe Denmark
Bregnerødvej 133 D
3460 Birkerød, Denmark
Tel +45 - 82 19 19
E-mail: info@eeteuroparts.dk

(E)

Gaplasa S.A.
Conde de Torroja, 25
28022 Madrid, España
Tel +34 - 917 48 29 60
Fax +34 - 913 29 16 75
E-mail: loewe@maygap.com

(F)

Loewe France SAS
Rue du Dépôt,
13 Parc de l'Europe, BP 10010
67014 Strasbourg Cédex, France
Tel +33 - 3 - 88 79 72 50
Fax +33 - 3 - 88 79 72 59
E-mail: loewe.france@loewe-fr.com

(FIN)

EET Europarts
Loewe Finland
Metsänneidonkuja 12
02130 Espoo, Finland
Tel +358 9 47 850 900
www.eeteuroparts.fi

(GB IRL)

Loewe UK Limited
1st Floor, 237A Kensington High St
London
W8 6SA, UK
Tel +44 - (0) 207 368 1100
Fax +44 - (0) 207 368 1101
E-mail: enquiries@loewe-uk.com

(GR RO AL)

Issagogiki Emboriki Ellados S.A.
321 Mesogion Av.
152 31 Chalandri-Athens, Hellas
Tel +30 - 210 672 12 00
Fax +30 - 210 674 02 04
E-mail: christina_argyropoulou@
isembel.gr

(HR)

Plug&Play Ltd.
Bednjanska 8, 10000 Zagreb
Hrvatska (Kroatia)
Tel +385 1 4929 683
Fax +385 1 4929 682
E-mail: info@loewe.hr

(I)

Loewe Italiana S.r.L.
Via Monte Baldo, 14/P - 14/N
37069 Dossobuono di Villafranca di
Verona
Tel +39 - 045 82 51 690
Fax +39 - 045 82 51 622
E-mail: info@loewe.it

(IL)

Clear electronic entertainment Ltd
13 Noah Mozes St.
Agish Ravad Building
Tel Aviv 67442, Israel
Tel +972 - 3 - 6091100
Fax +972 - 3 - 6092200
E-mail: info@loewe.co.il

(IND)

Nonplus Ultra Home Automation Pvt Ltd
First Floor, No. 615, Second Main Road
Indiranagar Stage I, Indiranagar
Bangalore 560038
India
Tel +91 80 41114599
E-mail: jimmy@nplusultra.in

(IR)

Pars Royal Taramesh
LOEWE Gallery
#3 Shariati St. Opp. Soheil St.
P.O Box 1914965537
Tehran, Iran
Tel + 98 21-22391661
E-Mail: info@tarameshgroup.com

(JOR)

ACCU-TECH Solutions Co.
1-Kharjia Al-Ashja'i Street
Jabal Al-Weibdeh
P.O.Box 9668 Amman 11191, Jordan
Tel: +962-6-465-9985
Fax: +962-6-465-0119
E-Mail: info@accutech-solutions.net

(KSA)

LOEWE Show Room
Olaya Street, Near Kingdom Center
RIYADH, SAUDI ARABIA
P.O Box 92831 Riyadh 11663
Tel +966-11-4640927
Fax +966-11-4640759
E-mail: hkkurkjian@gmail.com

(LV EST)

Kpartners, SIA
A.Čaka iela 80
Rīga, LV-1011, Latvia
Tel +3 71 - 67 29 29 59
Fax +3 71 - 67 31 05 68
E-mail: evgenii.bebnev@loewe.lv

(LT)

A Cappella Ltd.
Ausros Vartu 5, Pasazo skg.
01129 Vilnius, Lithuania
Tel +370 - 52 12 22 96
Fax +370 - 52 62 66 81
E-mail: info@loewe.lt

(N)

EET Europarts AS
Olaf Helsetsvai 6 (Vekstsenteret)
0694 Oslo, Norge
Tel +47 - 22919500
E-mail: salg@eeteuroparts.no

(P)

Gaplasa S.A.
Rua Professor Henrique de Barros
Edifício Sagres, 2º. C
2685-338 Prior Velho, Portugal
Tel +351 - 21 942 78 30
Fax +351 - 21 940 00 78
E-mail: geral.loewe@mayro.pt

(PL)

3LOGIC Sp.z o.o.
ul. Zakopiańska 153
30-435 Kraków
Tel +48 - 12 640 20 00
Fax +48 - 12 640 20 01
www.3logic.pl

(RI)

V2 Indonesia
5th Intiland tower
Jl. Jenderal Sudirman 32
Jakarta 10220, INDONESIA
Tel +62-21 57853547
E-mail: service@v2indonesia.com

(RL)

I Control SAL
Gemmaizeh, Rmeil.
Building 328 1st Floor Beirut, Lebanon
Tel +961 1 446777 / 1 587446
Fax +961 1 582446
E-mail: info@icontrol-leb.com

(RUS)

Service Center Loewe
Aptekarsky per.4 podjezd 5A
105005 Moscow, Russia
Tel +7 - 499 940 42 32 (ext. 454)
Fax +7 - 495 730 78 01
E-mail: service@loewe-cis.ru

(S)

EET Europarts AB
Loewe Sweden
Box 4124
SE-131 04, Nacka, Sverige
Tel +46 - 8 507 510 00
E-mail: Kundenservice@eeteuroparts.se

(SGP)

Atlas Care Centre
11 changi south street 3
#03-01 builders centre
Singapore 486122
Tel +65 - 6745 2028
Fax +65 - 6546 7861
E-mail: service@atlas-sv.com

(TR)

ENKAY GROUP
SERVISPLUS MUSTERI HIZMETLERI
Alemdag Cad. Site Yolu No:18
Umraniye, Istanbul, TÜRKIYE
Tel 444 4 784
E-mail: info@servisplus.com.tr

(ZA)

Volco Enterprise Close Corporation
Unit 8
7 on Mastiff (Road)
Longlake Ext 1, Lingbro Business Park
2165 Johannesburg
Tel +27 11 608 1228
Fax +27 11 608 1740
E-mail: v63@mwweb.co.za

LOEWE.