
Audiodesign

Loewe klang 9



User handbook

LOEWE.

Table of contents	3
Welcome!.....	4
Delivery specification	4
Safety Instructions	5
Intended Use.....	5
Mains cable/power supply.....	5
Installation.....	5
Air circulation and high temperatures.....	5
Cleaning	6
Position of the connections and operating elements.....	6
Connectors and operating controls	7
Configuration examples	8
Connection option without Loewe klang link (2.0/3.0 system)	8
Connection option without Loewe klang link (5.0 system).....	8
Connection option with Loewe klang link (3.0/5.0 system)	9
Connection option with DIGITAL AUDIO LINK and <u>LOEWE KLANG LINK</u> (3.0/5.0 system)	9
Connecting Loewe klang 9 via Digital Audio Link	10
Connecting Loewe klang 9 via LINE IN	11
Settings directly on the speaker	12
Settings via control buttons.....	12
Pairing with Loewe klang link	14
Configuration of the klang 9 (DIGITAL AUDIO LINK/ WIRELESS DIGITAL AUDIO LINK).....	15
Software update.....	16
Specifications.....	17
Disposal.....	17
Conformity/Manufacturer's declaration.....	17
Legal details.....	17

Introduction

Thank you, for choosing a Loewe product! We are happy to have you as a customer.

Loewe stands for the highest standards of technology, design and ease of operation. This applies equally to TV, Blu-ray, audio and accessories.

Neither technology nor design is an end in itself, but both are intended to provide our customers with the best possible audio and visual experience.

Our design is not influenced by short-term, fashionable trends. You have, after all, purchased a high-quality piece of equipment which you do not want to tire of tomorrow or the day after.

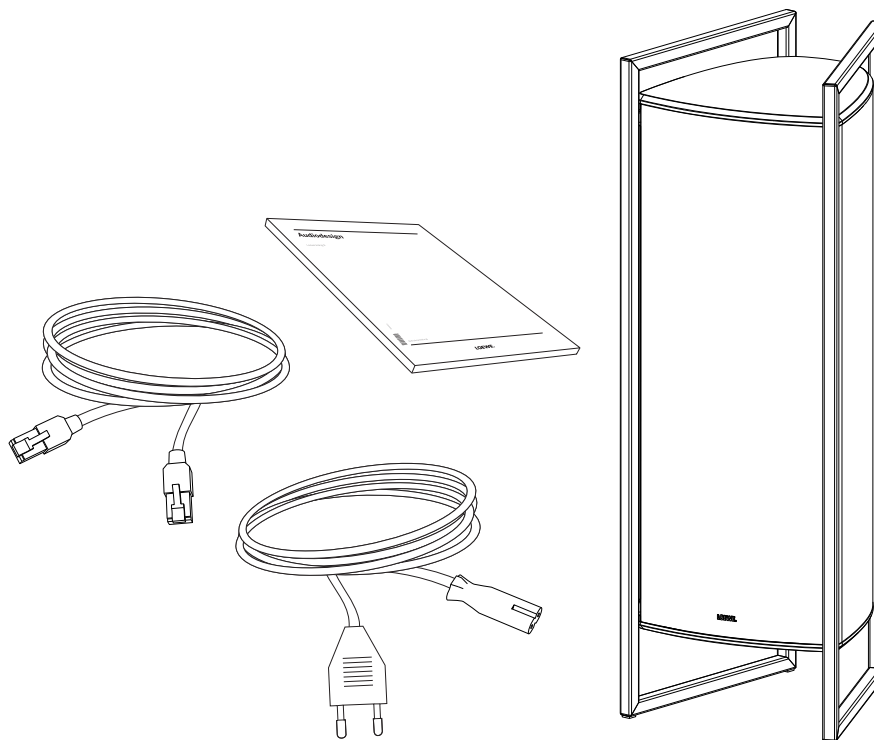
Loewe TV sets with an integrated digital multi-channel audio decoder transfer the audio signals to the Loewe klang 9 via the DIGITAL AUDIO LINK connection. The configuration and settings for the Loewe klang 9 can be made easily using the current Loewe TV sets.

Via an analogue LINE IN connector, you can also use the Loewe klang 9 speakers for other audio sources.

With the aim of a safe and long-term fault-free use of your Loewe Audio System, before putting the loudspeaker into operation, please read the chapter on the next page **Safety Instructions**.

Scope of delivery

- 2 x Loewe klang 9
- 2 x Mains cable
- 2 x Network cable
- Operating manual



Safety Instructions

For your safety, and to avoid unnecessary damage to your unit, please read and follow the safety instructions below:

This device has been built exclusively for private use in domestic environments. Warranty services cover this intended use.

Warning: To prevent electrical shock, do not open the unit. There are no parts inside the unit that can be repaired by the user. Repairs should only be carried out by a Loewe dealer.



Intended Use



The unit is intended exclusively for the playback of audio signals.



Do not put down! Place the loudspeaker only on the pre-assembled rubber feet.

If you are operating the loudspeakers on a shelf or sideboard, make sure there is enough storage space. Vibrations may cause the loudspeakers to slide off the raised position and fall down.

Do not place objects containing liquids on top of the unit.



Candles and other open flames must be kept away from the unit at all times to prevent the spread of fire.



If you have moved the unit out of the cold into a warm environment, leave it switched off for about an hour to avoid condensation forming. Connect the loudspeakers to the power supply when they reach room temperature. This prevents serious damage to the components.

Protect the unit from ...

- Water, dampness, dripping or sprayed water or steam
- Impacts and mechanical stresses
- magnetic and electric fields
- higher electrical powers than specified
- cold, heat, direct sunlight and high temperature fluctuations.
- Dust
- Covering which obstructs air circulation
- Interference with the internal workings of the unit

Mains cable/power supply



Pull the power plug before connecting or disconnecting other devices or speakers.



Do not operate the unit unattended. In case of longer absence, pull out the power plug.

The power plug of the TV set must be easily accessible so that the TV can be disconnected from the power supply at all times.

When unplugging the unit from the mains, pull at the connector body and not at the cable. The cables in the mains plug could otherwise be damaged and could cause a short-circuit when plugged in again.

Pull out the power cable during thunderstorms. A voltage surge caused by lightning conducted through the mains could damage the unit.

Lay the speaker and power cables in such a way that they cannot be damaged. The power cable may not be kinked or laid over sharp edges, not stood on and not exposed to chemicals; the latter also applies to the system as a whole. A power cable with damaged insulation can lead to electric shocks and is a fire risk and must therefore be changed before operation of the set continues.

Installation



Place the unit on a firm, level surface.

Do not set up the unit near strong heat sources or in direct sunlight.

The safest position to operate your klang 9 loudspeakers is at ground level.

Do not ever hang the klang 9 loudspeakers from the ceiling. The loudspeakers have been designed exclusively for standing operation.

The speakers generate magnetic dispersion fields which act in the vicinity of the housing. We recommend a minimum distance of > 0.5 m from magnetically sensitive equipment, such as magnetic data media etc.

Air circulation and high temperatures



Under no circumstances, the air supply of the Loewe klang 9 may be obstructed. Make sure it is far enough away (> 10 cm) from the floor or wall.

When installing in a cabinet or closed shelf: leave (> 10 cm) free space around the unit to allow the air to circulate freely, thereby avoiding a build-up of heat and an influence on the sound reproduction.

Cleaning

The housing of the Loewe klang 9 is fabric covered. Vacuum the surface regularly with a soft brush attachment.

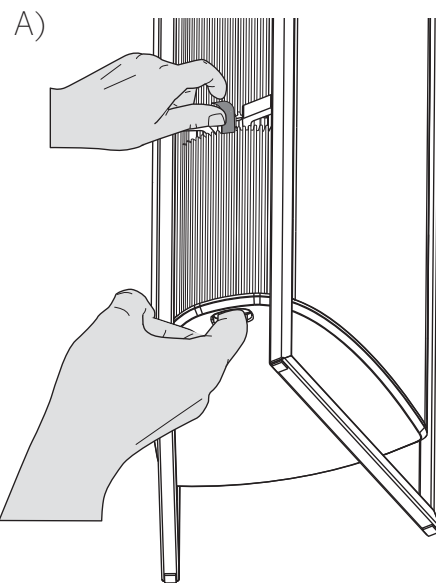
Clean the surface of the Loewe klang 9 made of aluminium with a damp, soft and clean cloth only (without any abrasive cleaning agent).

In case of dirt or stains:

Moisten a soft, colour-neutral cloth with detergent or normal stain remover and gently rub away the stain. You can also treat the stain directly with normal dry stain remover spray (vacuum up powder).

Do not moisten the fabric cover directly with detergent or stain remover (risk of encrustation). Do not use any solvents to clean the fabric.

- i** Follow the manufacturer's instructions when using stain removers.
- i** There is an increased risk of encrustation when cleaning the cloth grills with nicotine deposits.

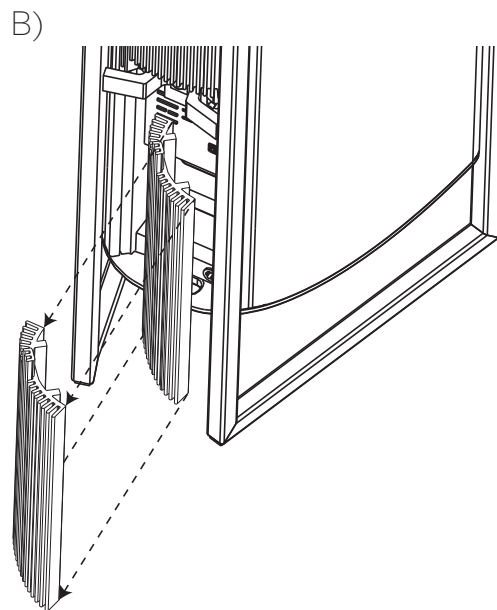


Position of the connections and operating elements

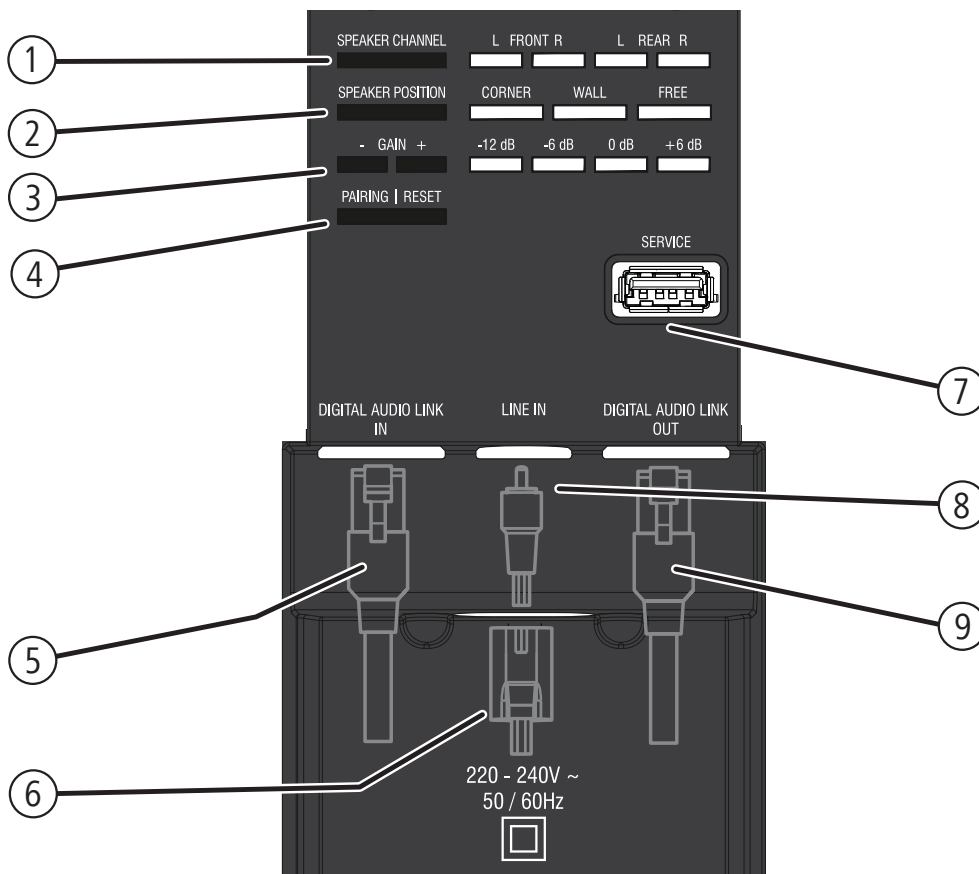
- i** Before you remove the covering of the connections, read through points 1-4 completely until the end.
- i** Do not perform the removal of the covering and connection of the speaker while lying down. The loudspeaker must stand on its feet at all times.

The connections and operating elements are hidden under a covering on the rear side of your loudspeaker. This covering is located at the bottom of the loudspeaker. You can recognise the beginning of the covering by an interruption in the lamellar material on the rear side of the loudspeaker. The covering is easily removable with two hands.

1. Grasp the opening on the base of the loudspeaker with a finger and press against the inside of the lamellar covering. At the same time with the other hand, pull the flap at the upper end of the covering. (A)
2. Pull the covering away from the loudspeaker, but only to the extent that the covering is released from the mounting.
3. Turn the covering approximately 40-50° in the metal frame of the loudspeakers. Be very careful to avoid scratches on the loudspeaker frame.
4. Carefully remove the covering from the loudspeaker frame. (B)



Connectors and operating controls



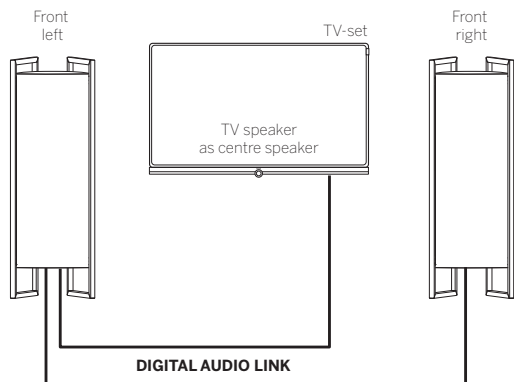
- ① **SPEAKER CHANNEL** - Setting/Display of the channel
- ② **SPEAKER POSITION** - Setting/Display of the position in the room
- ③ **GAIN -/+** - Setting/Display of the sound intensity
- ④ **PAIRING** - Connection to the Loewe klang link
- ⑤ **DIGITAL AUDIO LINK IN** - Audio input (digital)
- ⑥ **220-240 V ~ 50/60 Hz** - Mains connection
- ⑦ **SERVICE** - Service interface for internal purposes
- ⑧ **LINE IN** - Audio input (analogue)
- ⑨ **DIGITAL AUDIO LINK OUT** - Audio output (digital)

Configuration examples

Only one of the given examples is possible at the same time.

Connection option without Loewe klang link (2.0/3.0 system)

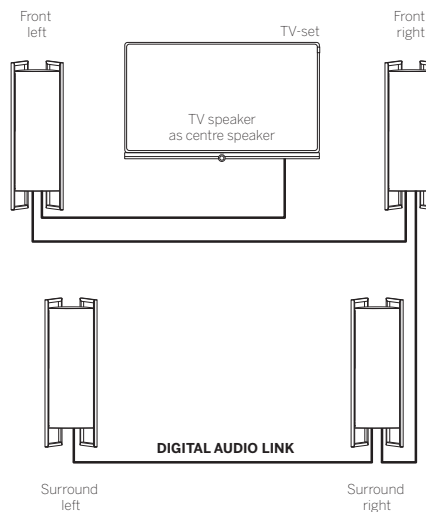
When configuring a 2.0/3.0 system, the Loewe klang 9 will be connected to the audio source via DIGITAL AUDIO LINK.



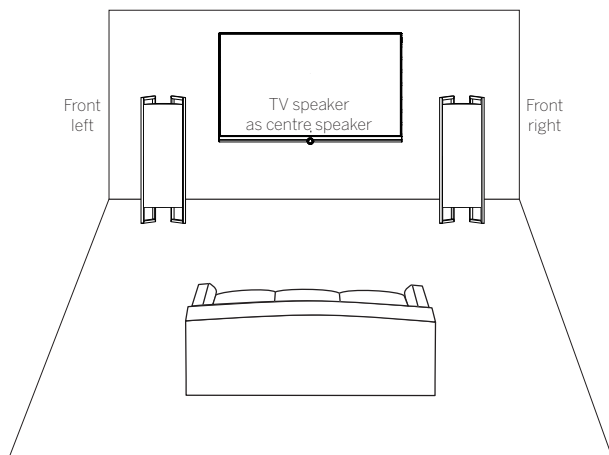
An example of a 2.0/3.0 system

Connection option without Loewe klang link (5.0 system)

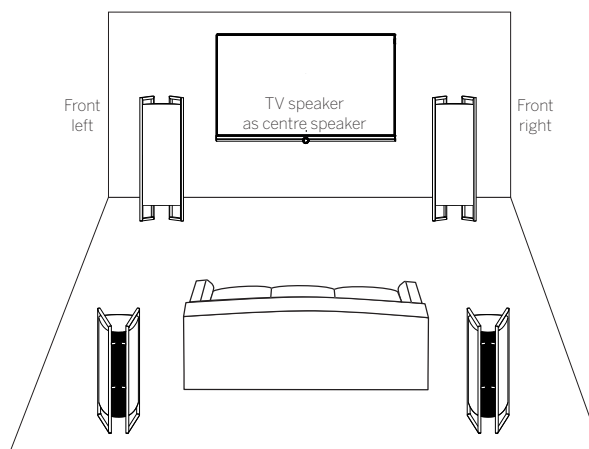
When configuring a 5.0 system, the Loewe klang 9 will be connected to the audio source via DIGITAL AUDIO LINK.



An example of a 5.0 system



A set-up example of a 2.0/3.0 system



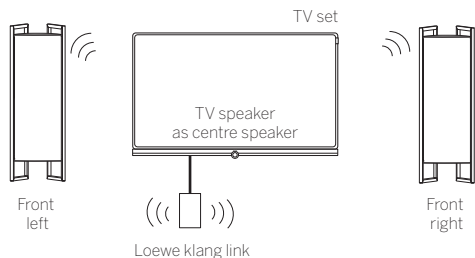
A set-up example of a 5.0 system

How to connect the speaker via DIGITAL AUDIO LINK is described on page 10.

How to connect the speaker via DIGITAL AUDIO LINK is described on page 10.

Connection option with Loewe klang link (3.0/5.0 system)

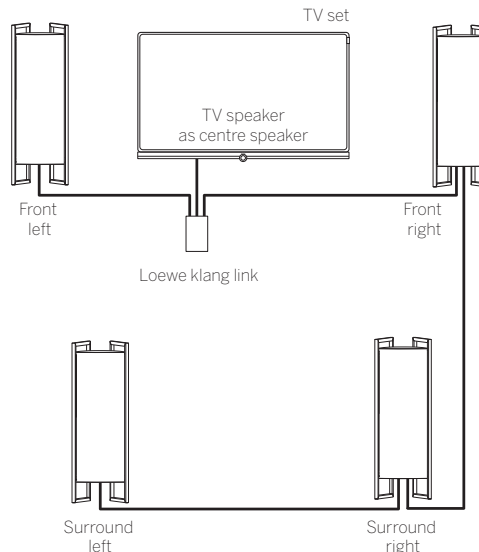
When expanding your speaker system with the Loewe klang link box, you can also operate the system using a wireless connection. When using a wireless connection of your speaker system, it is not possible to connect additional speakers via cable. A mixed operation (wired/wireless) is not possible.



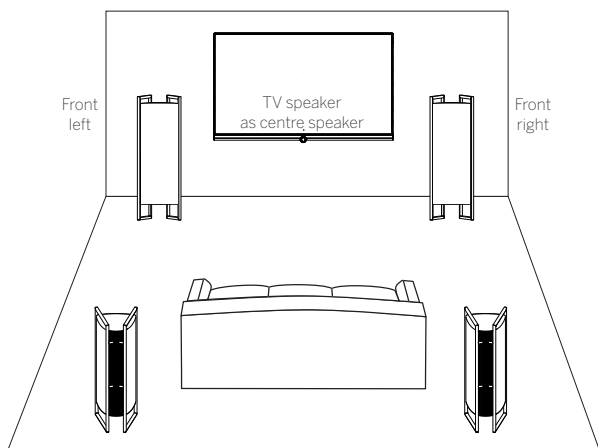
An example of a 5.0 system

Connection option with DIGITAL AUDIO LINK and LOEWE KLANG LINK (3.0/5.0 system)

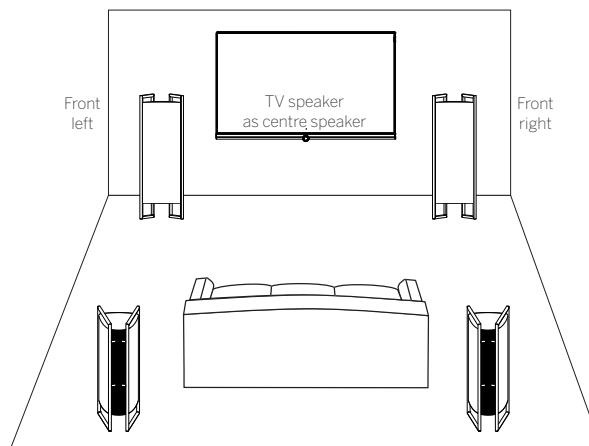
If you use a 3.0/5.0 system with a Loewe klang link box, you can connect the speakers and subwoofers much more easily and without much effort. This applies also to other connection/set-up solutions using the Loewe klang link box.



An example of a 5.0 system



A set-up example of a 5.0 system



A set-up example of a 5.0 system

How to connect the Loewe klang 9 via the Loewe klang link you find in the installation instructions of the Loewe klang link.

How to connect the speaker via DIGITAL AUDIO LINK is described on page 10.

Connecting Loewe klang 9 via Digital Audio Link

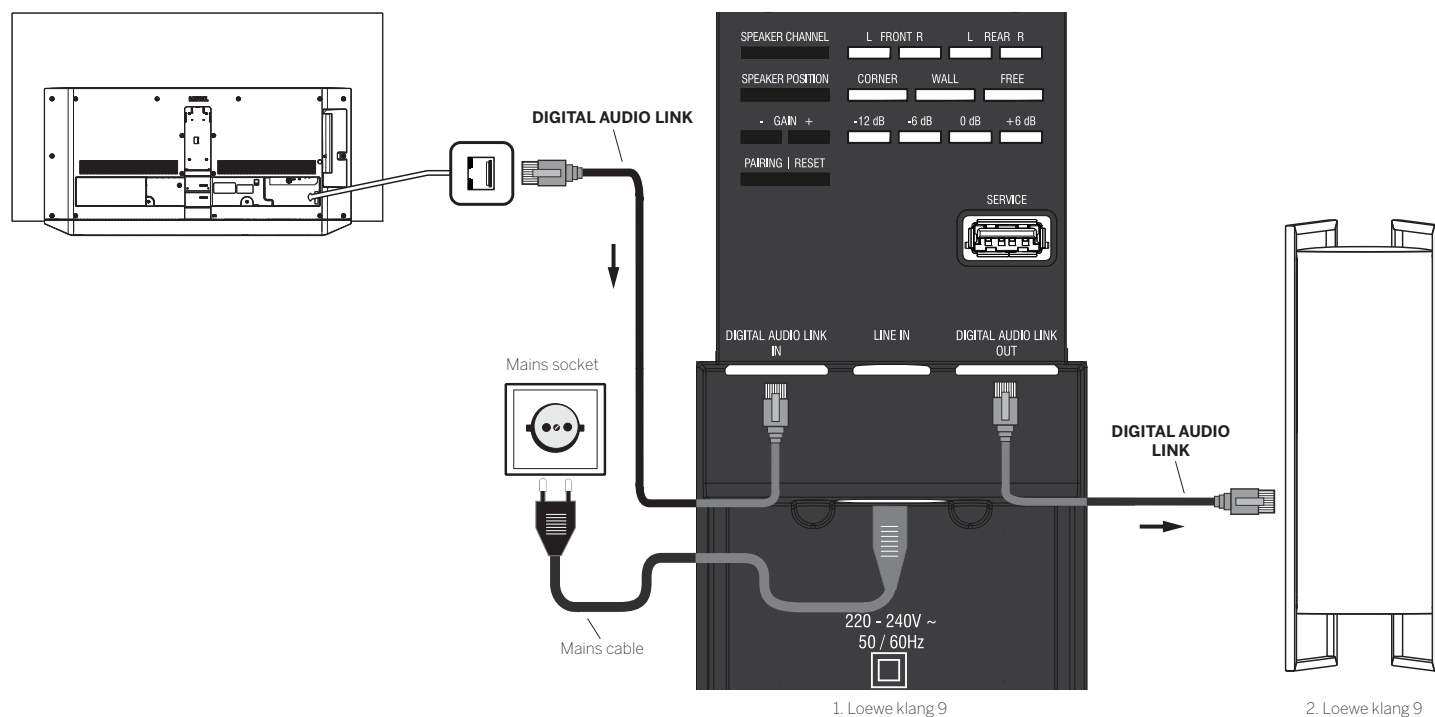
Switch off the TV set before connecting the Loewe klang 9.

Using the included network cable, connect the **DIGITAL AUDIO LINK** interface of the Loewe TV set¹ to the **DIGITAL AUDIO LINK IN** interface of the Loewe klang 9. In order to connect your second Loewe klang 9, connect the **DIGITAL AUDIO LINK OUT** interface of the first Loewe klang 9 to the **DIGITAL AUDIO LINK IN** interface of the second Loewe klang 9 (see figure).

Connect the speaker cable to the speaker according to the corresponding installation instructions.

Use the mains cable supplied to connect the **220-240 VAC 50/60 Hz** socket of the Loewe klang 9 to a 220-240V 50/60 Hz socket.

TV-set



¹ Availability and position of the DIGITAL AUDIO LINK interface depends on the type of TV set.

Connecting Loewe klang 9 via LINE IN

Via the **LINE IN** analogue interface, you can connect the klang 9 to your TV set or any audio source.

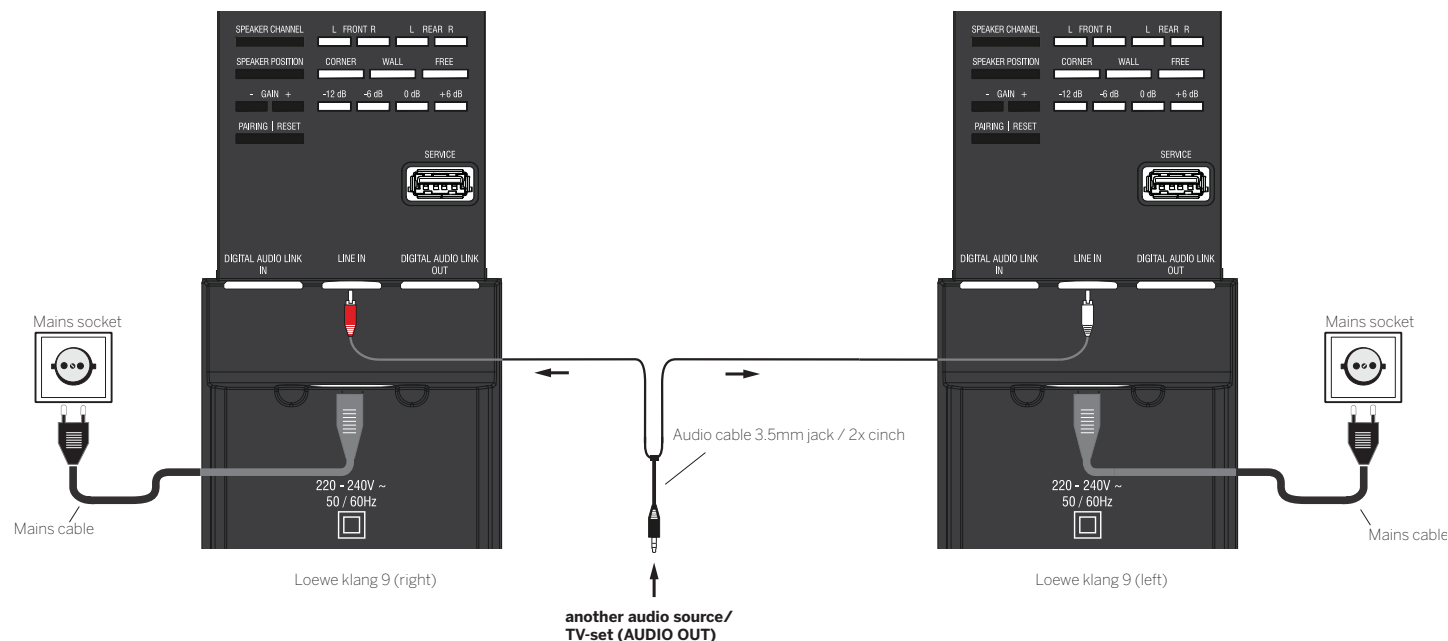
Disconnect all devices from the mains before connecting.

Connect the analogue audio output **AUDIO OUT**¹ of the TV set or of another audio source with the **LINE IN** audio inputs **LEFT/RIGHT** of the speaker. To do so, use the supplied 3.5 mm jack/2 x cinch audio cable. If an audio source is used, which has separate jacks for left/right; use appropriate standard cinch cables.

Connect the cables to the speaker according to the corresponding installation instructions.

Use the mains cable supplied to connect the **220-240 VAC 50/60 Hz** socket of the klang 9 to a 220-240V 50/60 Hz socket.

i If the menu item **TV speaker** is active in the sound components wizard of the Loewe TV set, it may happen that after turning on the TV set, the klang 9 connected to AUDIO OUT is operated at a high volume. Therefore, select in the sound components wizard first the **Speaker system (AUDIO OUT)**¹ before connecting the speaker to the mains.



¹For Loewe TV sets as of chassis SL3xx and software V2.2.13 without AUDIO OUT connector, use the HEADPHONE connector.

Settings directly on the klang 9

Before commencing the start-up and settings, please make sure that all cables are connected correctly.

LED indicator

The status appears for 10 sec. and then the LEDs will turn off. If one of the control buttons is pressed, the indicator switches on again.

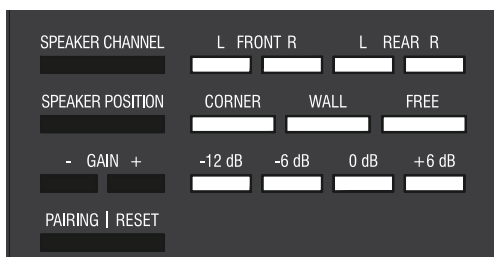
Settings via control buttons

Using several control buttons you can make various settings on the Loewe klang 9. The corresponding LEDs indicate the status. The LED display switches off after 10 sec.; when pressing one of the control buttons, the LEDs turn on again.

The handling of the settings directly on the speaker will depend on the connection types of the speaker. Depending on whether the speaker is connected via DIGITAL AUDIO LINK or LINE IN to the TV or an audio source.

When connecting the Loewe klang 9 via DIGITAL AUDIO LINK to a TV (SL3xx chassis and more advanced) the setting GAIN can be made on the television. The GAIN setting is only locally available, when you operate your speaker directly via LINE IN.

When connecting the Loewe klang 9 to any audio source via LINE IN, these settings must be done directly on the Loewe klang 9.



All set values remain unchanged after the speaker has been switched on and off.

SPEAKER CHANNEL settings

Using the **SPEAKER CHANNEL** button, you can directly select the channel that you wish to hear via the respective speaker.

Selection of **FRONT L/R**:

If the speaker is in front of you, beside the TV set, select FRONT LEFT or FRONT RIGHT.

Selection of **REAR L/R**:

If the speaker is behind you, select REAR LEFT or REAR RIGHT.

Setting the SPEAKER POSITION

Using the **SPEAKER POSITION** button you have the possibility to best adapt your speaker to the room. The three LED indicators **CORNER/WALL/FREE** indicate the selected setting.

i The setting for **SPEAKER POSITION** will only be made locally on the Loewe klang 5.

Selecting **CORNER**:

When the Loewe klang 5 is near the corner of the room, select the setting **CORNER**.

Selecting **WALL**:

When the Loewe klang 5 is near a wall, select the setting **WALL**.

Selecting **FREE**:

When the Loewe klang 5 is in free space, select the setting **FREE**.

Adjusting the GAIN +/-

Using the **GAIN +/-** buttons you can adjust the basic volume. The four LED indicators **-12 dB / -6 dB / 0 dB / +6dB** indicate the adjusted volume.

The adjustment range of -12 dB to +6 dB can be changed in steps of 1 dB. The corresponding LED will light up for the values -12 dB, -6 dB, 0 dB and +6 dB. For intermediate values, the LEDs will be dimmed accordingly

- i** When connecting the Loewe klang 9 via DIGITAL AUDIO LINK, the volume is set in the sound components wizard (Adjusting the speaker volume, see page 16) on the TV set.
- i** When connecting the Loewe klang 9 via LINE IN, the setting is only locally done on the speaker.

PAIRING/RESET Setting

- i** To use the function (WIRELESS DIGITAL AUDIO LINK), you need the Loewe klang link box and a TV set (chassis SL3xx or higher with software V4.1.x or higher) with a digital audio link connection.
- i** The Loewe klang link box is not included in the set of equipment supplied.

When pressing the **PAIRING/RESET** button, the speaker is ready to be wirelessly integrated into an existing system, or to be connected alone to the Loewe klang link box and the TV set.

Meaning of the LED after pressing the **PAIRING/RESET** button:

- Permanently: The speaker has found the Loewe klang link box and is connected to it.
- Flashing: The speaker has not yet/not found the Loewe klang link box. If there is still no connection after 1 minute, a new attempt must be initiated manually.

Connecting the Loewe klang 9 via Loewe klang link

- i** You cannot use the system in a mixed mode. You must decide between a wireless or wired connection. Your TV set detects automatically whether it is connected wirelessly or wired.
- i** Prior to pairing, make sure that the speakers are properly connected and all possible settings (SPEAKER CHANNEL/SPEAKER POSITION) were selected correctly.

HOME

HOME: Call **Home** view.

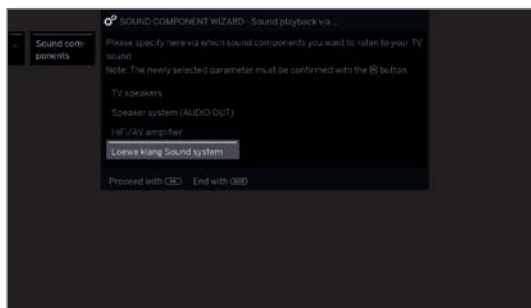


◀ ▶ ▲ ▼ Mark **System settings**.
OK call System settings.

▲ ▼ Select **Connections**.
▶ go to next column.

▲ ▼ Select **Sound components**.
▶ go to next column.

Sound playback
via ...



▲ ▼ Select the **Loewe klang Sound system**.
OK Confirm selection.



▶▶ Proceed to next step.

Speaker
configuration



◀ ▶ Select **Pairing**



▶▶ Proceed to next step.

Once you have selected **Pairing** and aroused the speaker by pressing any button, press the **PAIRING** button for every Loewe klang 9 speaker. The speakers and your TV set connect themselves now automatically. The connected speakers are now shown in the Linking menu.



▶▶ Complete linking.

When the **pairing** has been performed properly, the Loewe klang 9 system can now be configured via the TV set.

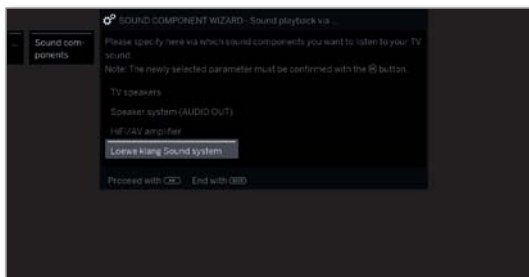
Configuration of the klang 9 (DIGITAL AUDIO LINK/WIRELESS DIGITAL AUDIO LINK)

After switching on the TV set, the sound components wizard detects that a **Loewe klang Sound system** was connected to DIGITAL AUDIO LINK and automatically displays it in the sound components wizard. A system 3.0 is assumed as a configuration example.

The sound components wizard can be opened via **System settings – Connections – Sound components**.

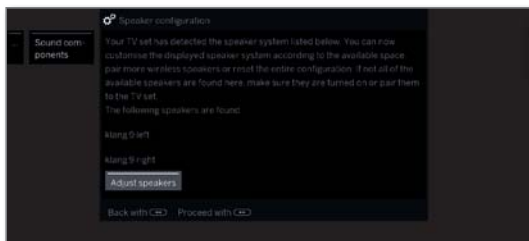
i The automatic recognition of the **Loewe klang Sound system** is dependent on the Loewe chassis type and the software version used (as of chassis type SL3xx and software version V4.x). For other types of chassis/software versions call manually the sound components wizard to select the **Speaker system (DIGITAL AUDIO LINK)**. The order and appearance of the menu items can be different from the case described here..

Sound playback
via ...



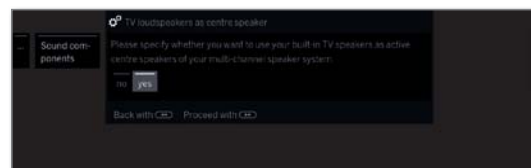
Proceed to next step.

Speaker
configuration



Proceed **TV loudspeakers as centre speaker**.

TV loudspeakers
as centre
speaker

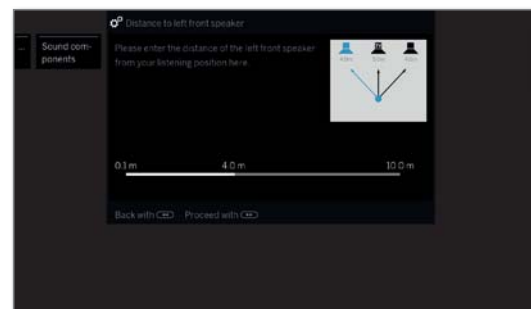


Select whether you want to use the **TV speaker** as centre speaker.



Proceed to **Distance to left front speaker**.

Distance to left
front speaker



Set the distance between the left front speaker and your listening position in 10 cm stepsn.

i Measure the distances from your listening position to the front speakers and the centre speaker (if used). The system calculates delay times from this for the loudspeaker signals, so that these reach the listener simultaneously.



Proceed to the respective other speakers (right front speaker, centre speaker) and also



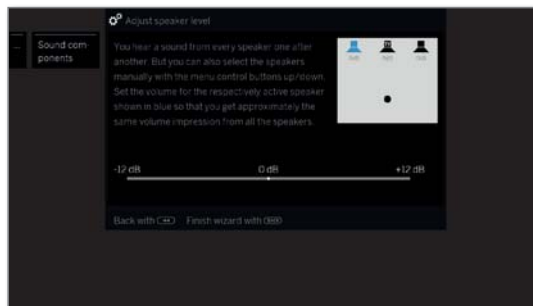
set distance. The selected speaker will be coloured blue.

After setting the distance to the speaker.



Proceed to **Adjust speaker level**.

Adjust speaker level



- ◀ ▶ Adjust the level for the speaker.
- ▲ ▼ Select speakers.
The selected speaker will be coloured blue.

i For balanced audio reproduction all speakers should be set to the same volume level. A noise signal will be reproduced automatically on each speaker in succession. Adjust every speaker to equal perceived volume from your listening position.

After adjustment of the last speaker.

BACK

Back: End of wizard.

This ends the sound components wizard for connecting and setting up a speaker system.

Software update

Software update via DIGITAL AUDIO LINK

If a new version of the Loewe klang 9 software is available during an update of the TV software, it will also be updated via the DIGITAL AUDIO LINK interface. For more information on the software update, refer to the instruction manual of your TV set.

i During the update, you must not unplug the speaker.

Specifications

Part number	57201xxx
Ambient temperature [°C]	Min. 5/Max. 35
Humidity [%]	Max. 80
Dimensions [W x H x D in cm]	25,2 x 71,2 x 25,8
Weight [kg]	15
Digital power stages	1 x 75 W + 2 x 27,5 W + 1 x 25 W (sine wave)
Acoustic principle	3 way, closed D'Appolito arrangement
Speaker equipment	2 x 6 inch passive, 1 x 6 inch woofers, 2 x 3 centre speaker, 1 x 3 inch tweeter
Mains voltage [Volt 50/60 Hz]	220 - 240
Power consumption [Watt]	190
Network standby [Watt]	< 0.5
Setting range of intensity	[dB] - 12/+ 6
Transmission range (acoustic)	32 Hz - 22 kHz (ffl3dB)
Maximum sound pressure	109 dBA ffl 1 dB at 1m distance
Transmission range (electrical)	20Hz - 50kHz
Connections	DAL IN (RJ45)/DAL OUT (RJ45)/ LINE IN (Cinch)
Input sensitivity	250 mV/20kOhm (@ + 6 dB Intensity)
Signal detection	> 1 mV at Line IN
Wireless transmission	5.8 GHz
Sound optimization	Corner, wall, free standing

Disposal

Cardboard box and packaging

The disposal of the packaging is gladly accepted by your specialist dealer. If you dispose of the packaging yourself, dispose of the packaging clean and according to local disposal regulations. Add cardboard and paper to the waste paper, and place the sheets in the recyclable material. In line with national regulations regarding the disposal of packaging materials, we pay a fee to authorised recyclers. Nevertheless, we recommend that you keep the original cardboard box and the rest of the packaging materials so that the device can, if necessary, be transported under the safest possible conditions.

The device



Attention: The EU Directive 2012/19/EU governs the proper return, handling and recycling of used electronic appliances. Old electronic devices must therefore be disposed of separately. Never dispose of this device in normal domestic waste! You can hand in your old unit free of charge at identified collection points or to your dealer. Additional details about return (also for non EU countries) are available from your local municipal authority.

Conformity/Manufacturer's declaration



Loewe Technologies hereby declares that this product meets the essential requirements and other relevant provisions of Directive 2014/53/EU and all applicable EU directives.

You can find the complete declaration of conformity in the product selection at:
www.loewe.tv/int/my-loewe

Legal details

Loewe Technologies GmbH
Industriestrasse 11
D-96317 Kronach
www.loewe.tv

Printed in Germany
Editorial date 06/17-1.0 PS
© Loewe Technologies GmbH, Kronach

All rights including translation, technical modifications and errors reserved. The graphics used are only exemplary.

(AUS)

Qualifi Pty Ltd
24 Lionel Road
Mt.Waverley VIC 3149 Australia
Tel +61-03-8542 1111
Fax +61-03-9543 3677
E-mail: info@qualifi.com.au

(B NL L)

Loewe Opta Benelux NV/SA
Uilenbaan 84
2160 Wommelgem, België
Tel +32 - 3 - 2 70 99 30
Fax +32 - 3 - 235 48 37
E-mail: ccc@loewe.be

(CH)

Telion AG
Rütistrasse 26
8952 Schlieren, Schweiz
Tel +41 - 44 732 15 11
Fax +41 - 44 732 15 02
E-mail: infoKD@telion.ch

(CN)

GuoGuang Electric Co., Ltd.
No. 8 Jinghu Road, Xinya St, Huadu Reg.
GZ, PRC
Tel +86-(0)20-22675744
Fax +86-(0)20-22675744
E-mail: service@loewe-chn.com

(CY)

Hadjikyriakos & Sons Ltd.
121 Prodomos Str., P.O Box 21587
1511 Nicosia, Cyprus
Tel +357 - 22 87 21 11
Fax +357 - 22 66 33 91
E-mail: service@hadjikyriakos.com.cy

(CZ)

BaSys CS s.r.o.
Sodomkova 1478/8
10200 Praha 10 - Hostivar,
Česká republika
Tel +420 234 706 700
Fax +420 234 706 701
E-mail: office@basys.cz

(D A)

Loewe Technologies GmbH,
Customer Care Center
Industriestraße 11
96317 Kronach, Deutschland
Tel +49 9261 99-500
Fax +49 9261 99-515
E-mail: ccc@loewe.de
www.loewe-friends.de

(DK)

EET Europarts
Loewe Denmark
Bregnerodvej 133 D
3460 Birkerød, Denmark
Tel +45 45 82 19 19
E-mail: info@eeteuroparts.dk

(E)

Gaplasa S.A.
Conde de Torroja, 25
28022 Madrid, España
Tel +34 - 917 48 29 60
Fax +34 - 913 29 16 75
E-mail: loewe@maygap.com

(F)

Loewe France SAS
Rue du Dépôt,
13 Parc de l'Europe, BP 10010
67014 Strasbourg Cédex, France
Tel +33 - 3 - 88 79 72 50
Fax +33 - 3 - 88 79 72 59
E-mail: loewe.france@loewe-fr.com

(FIN)

EET Europarts
Loewe Finland
Metsänneidonkuja 12
02130 Espoo, Finland
Tel +358 9 47 850 900
www.eeteuroparts.fi

(GB IRL)

Loewe UK Ltd
PO Box 220
Eastbourne
BN24 9GQ
UK
Tel +44 (0)333 123 0220
E-mail: enquiries@loewe-uk.com

(GR RO AL)

Issagogiki Emboriki Ellados S.A.
321 Mesogion Av.
152 31 Chalandri-Athens, Hellas
Tel +30 - 210 672 12 00
Fax +30 - 210 674 02 04
E-mail: christina_argyropoulou@isembel.gr

(HR)

Plug&Play Ltd.
Bednjanska 8, 10000 Zagreb
Hrvatska (Kroatia)
Tel +385 1 4929 683
Fax +385 1 4929 682
E-mail: info@loewe.hr

(I)

Loewe Italiana S.r.L.
Via Monte Baldo 14/P
37069 Dossobuono di Villafranca di
Verona
Tel +39 - 045 82 51 690
Fax +39 - 045 82 51 622
E-mail: info@loewe.it

(IL)

T. R. Electro Stereo Ltd.
Yad Harutzim 9
6770002 Tel Aviv
Israel
Tel +972 - 3 - 6091100
Fax +972 - 3 - 6092200
E-Mail: info@loewe.co.il

(IND)

Nonplus Ultra Home Automation Pvt Ltd
First Floor, No. 615, Second Main Road
Indiranagar Stage I, Indiranagar
Bangalore 560038
India
Tel +91 80 41114599
E-mail: jimmy@nplusultra.in

(IR)

Pars Royal Taramesh
Loewe Iran
#18 Elahiye St. bidar AVE.
Unit #1
Postal code : 1965915651
Tehran, Iran
Tel +98 21-22010298
E-Mail: info@tarameshgroup.com

(JOR)

ACCU-TECH Solutions Co.
1-Kharija Al-Ashja'i Street
Jabal Al-Weibdeh
P.O.Box 9668 Amman 11191, Jordan
Tel: +962-6-465-9985
Fax: +962-6-465-0119
E-Mail: info@accutech-solutions.net

(KSA)

LOEWE Show Room
Olaya Street,
Near Kingdom Center Riyadh,
Saudi Arabia
P.O.Box 92831, Riyadh 11663
Tel + 966-11-4640927
Fax +966-11-4640759
Email: hagop@sas-se.com
Mr. Hagop Julmekian

(LV EST)

Dominterior SIA
A.Čaka iela 80
Rīga, LV-1011, Latvia
Tel +3 71 - 67 29 29 59
Fax +3 71 - 67 31 05 68
E-Mail: konstantin.golubev@loewe.lv

(LT)

A Cappella Ltd.
Ausros Vartu 5, Pasazo skg.
01129 Vilnius, Lithuania
Tel +370 - 52 12 22 96
Fax +370 - 52 62 66 81
E-mail: info@loewe.lt

(N)

EET Europarts AS
Olaf Helsetsvei 6 (Vekstsenteret)
0694 Oslo, Norge
Tel +47 - 22919500
E-mail: salg@eeteuroparts.no

(P)

Gaplasa S.A.
Parque Suécia
Avda. do Forte, 3
Edificio Suécia I piso 1-2.07
2790-073 CARNAXIDE, Portugal
Tel +351 - 21 942 78 30
Fax +351 - 21 940 00 78
E-mail: geral.loewe@mayro.pt

(PL)

3LOGIC Sp.z o.o.
ul. Zakopiańska 153
30-435 Kraków
Tel +48 - 12 640 20 00
Fax +48 - 12 640 20 01
www.3logic.pl

(RI)

V2 Indonesia
5th Intiland tower
Jl. Jenderal Sudirman 32
Jakarta 10220, INDONESIA
Tel +62-21 57853547
E-mail: service@v2indonesia.com

(RL)

I Control SAL
Gemmaizeh, Rmeil.
Building 328 1st Floor Beirut, Lebanon
Tel +961 1 446777 / 1 587446
Fax +961 1 582446
E-mail: info@icontrol-leb.com

(RUS)

Service Center Loewe
Aptekarsky per.4 podjezd 5A
105005 Moscow, Russia
Tel +7 - 499 940 42 32 (ext. 454)
Fax +7 - 495 730 78 01
E-mail: service@loewe-cis.ru

(S)

EET Europarts AB
Loewe Sweden
Box 4124
SE-131 04, Nacka, Sverige
Tel +46 - 8 507 510 00
E-mail: Kundservice@eeteuroparts.se

(SGP)

Atlas Care Centre
11 changi south street 3
#03-01 builders centre
Singapore 486122
Tel +65 - 6745 2028
Fax +65 - 6546 7861
E-mail: service@atlas-sv.com

(TR)

ENKAY GROUP
SERVISPLUS MUSTERI HIZMETLERI
Alemdag Cad. Site Yolu No:18
Umraniye, Istanbul, TÜRKIYE
Tel 444 4 784
E-mail: info@servisplus.com.tr

(ZA)

Volco Enterprise Close Corporation
Unit 8
7 on Mastiff (Road)
Longlake Ext 1, Lingbro Business Park
2165 Johannesburg
Tel +27 11 608 1228
Fax +27 11 608 1740
E-mail: service@volco.co.za

LOEWE.